



X130 SERIES AUGER, GULP 2 HOPPER

PARTS MANUAL

Box 39
Rosenort, Manitoba, Canada
Phone: (204) 746-2396 Fax: (204) 746-2679
Toll Free: (866) 467-7207 (Canada & USA)
website: www.wheatheart.com email: sales@wheatheart.com

Printed in Canada



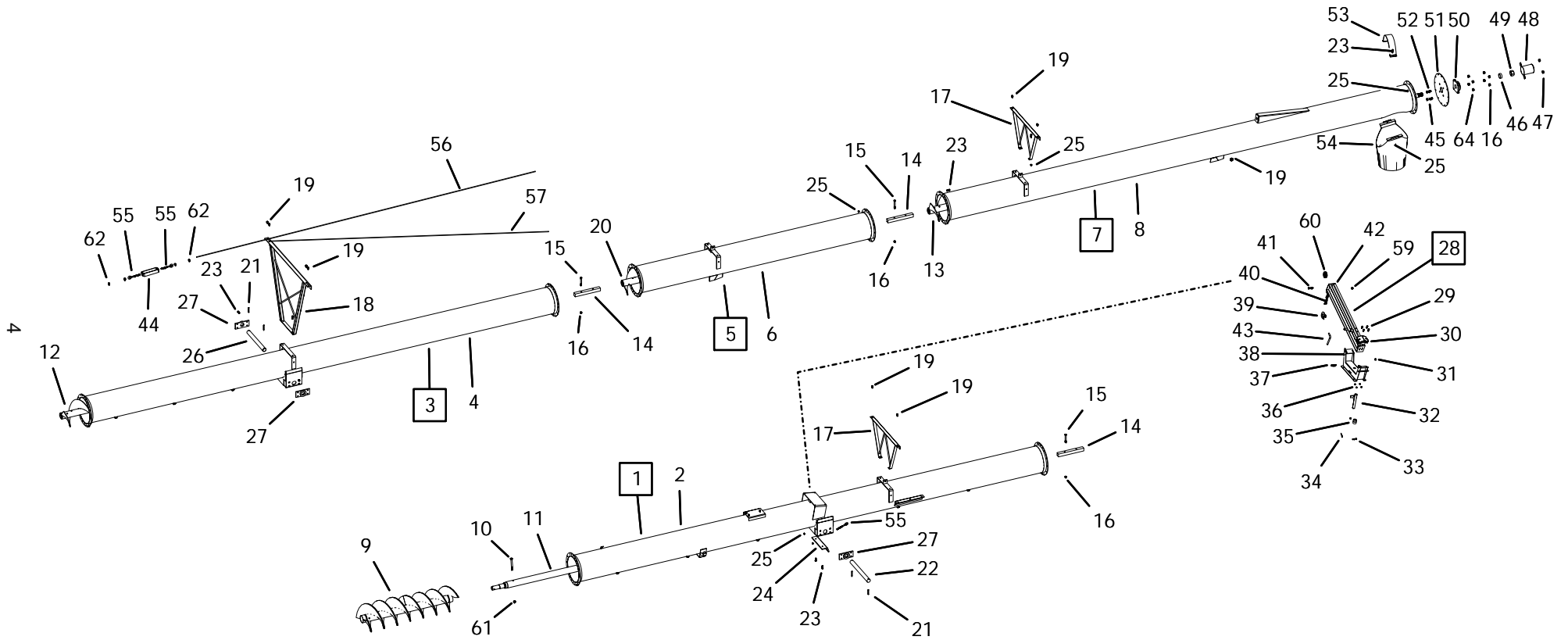
Revised: 27/05/2016

(This page intentionally left blank.)

TABLE OF CONTENTS

DESCRIPTION	PAGE
X130-74 TUBE ASSEMBLY	4
X130-84 TUBE ASSEMBLY (SERIAL NO. 11587-13999)	8
X130-84 TUBE ASSEMBLY (SERIAL NO. 14000+)	12
X130-94 TUBE ASSEMBLY (SERIAL NO. 11587-13999)	16
X130-94 TUBE ASSEMBLY (SERIAL NO. 14000+)	20
X130-114 TUBE ASSEMBLY (SERIAL NO. 14000+)	24
X130-74 FRAME ASSEMBLY	28
X130-84 FRAME ASSEMBLY	30
X130-94 FRAME ASSEMBLY	32
X130-114 FRAME ASSEMBLY	34
X130-74 HYDRAULIC CYLINDER ASSEMBLY	38
X130-84 HYDRAULIC CYLINDER ASSEMBLY	40
X130-94 HYDRAULIC CYLINDER ASSEMBLY	42
X130-114 HYDRAULIC CYLINDER ASSEMBLY	44
X130 BOOT	46
X130 SWING TUBE	50
GULP 2 SWING TUBE	52
X130 HOPPER	56
A263 REVERSER	60
A262 SPEED REDUCER	62
A266 HYDRAULIC WINCH	64
A264 ELECTRIC POWER SWING-13"	66
A334 ELECTRIC LANDING GEAR POWER SWING - 13"	68
A265 HYDRAULIC POWER SWING-13"	72
A333 HYDRAULIC LANDING GEAR POWER SWING - 13"	74
RIGHT ANGLE DRIVE KIT	78
GULP 2 HOPPER	80
GULP 2 PARTS	84
GULP 2 HYDRAULIC LINES	88
UPPER GEARBOX (27560)	90
LOWER GEARBOX (29085)	92
X130-74 CONSTANT VELOCITY PTO SHAFT (WEASLER)	94
X130-84 CONSTANT VELOCITY PTO SHAFT (WEASLER)	96
X130-94 CONSTANT VELOCITY PTO SHAFT (WEASLER)	98
X130-114 CONSTANT VELOCITY PTO SHAFT (WEASLER)	100

X130-74 TUBE ASSEMBLY

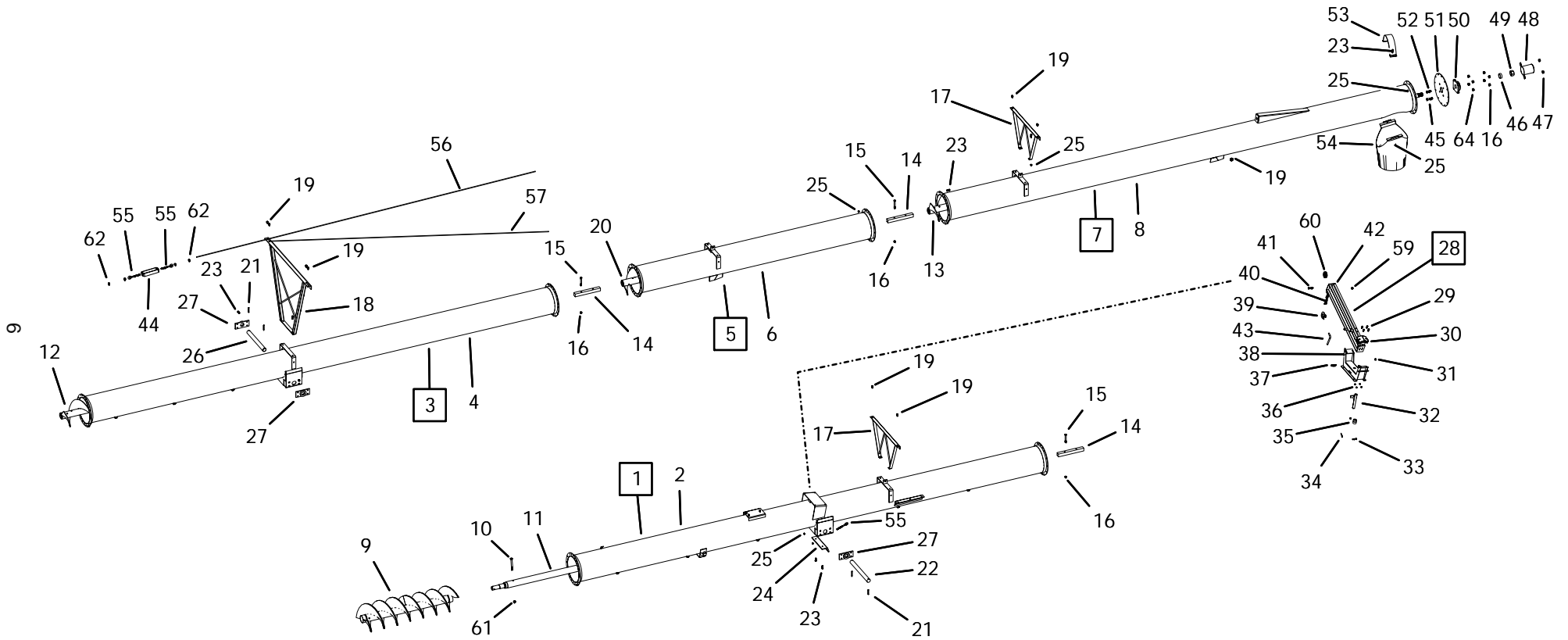


Note: GULP 2 hopper bracket added to the lower middle tube in 2014. This part is backwards compatible with all previous models. Installing a new tube that includes the GULP 2 hopper bracket does not necessarily make an auger GULP 2 hopper compatible. Please call customer service for more information.

X130-74 TUBE ASSEMBLY

ITEM	PART NO.	DESCRIPTION
1	10-29932	X1374 LOWER TUBE BDL
2	10-29931	X1374 LOWER TUBE
3	10-29934	X1374 LOWER MIDDLE TUBE BDL
4	10-29933	X1374 LOWER MIDDLE TUBE
5	10-29936	X1374/94 UPPER MIDDLE TUBE BDL 10'
6	10-29935	X1374/94 UPPER MIDDLE TUBE 10'
7	10-29940	X1374/84/94 UPPER TUBE BDL
8	10-29939	X13 UPPER TUBE
9	10-29964	X13 BOOT FLIGHT
10	10-17632	BOLT, 5/8" x 5 1/2" GR8
11	10-29989	X13 LOWER FLIGHT
12	10-29987	X13 MIDDLE FLIGHT
13	10-29986	X13 UPPER FLIGHT
14	10-29985	X13 FLIGHT CONNECTING SHAFT
15	10-18947	BOLT, 1/2" x 4" GR8
16	10-17750	1/2" LOCKNUT, YELLOW
17	10-18988WH	STD. TRUSS BRACKET
18	10-20017	X13 HIGH TRUSS TOWER
19	10-19333	5/16" CABLE CLAMP
20	10-29988	X13 FLIGHT, 10' EXTENSION
21	10-28584	5/16" x 2-1/2" ROLL PIN
22	10-29995	LOWER FRAME ATTACH PIN
23	10-18698	BOLT, 7/16" x 1-1/4"
24	10-20105	X1374 TRUSS CABLE ATTACH BRACKET
25	10-17593	LOCKNUT, 7/16" GR5
26	10-20079	FRAME ATTACH PIN, UPPER SCISSOR
27	10-29962	X13 Frame Attach Spacer
28	10-20030	X13 LIFT ARM ASSEMBLY
29	10-21558	5/16" x 1" GR8, SHEAR BOLT
30	10-20033	X13 LIFT ARM PULLEY GUIDE
31	10-17402	NYLON, LOCKNUT, 3/8"
32	10-20031	X13 LIFT ARM SWIVEL
33	10-28450	BOLT, 3/8" x 1-3/4" GR5
34	10-19463	HAIRPIN 7/16-3/4, 1/8 DIA
35	10-20360	SPACER BUSHINGS
36	10-19980	NYLON LOCKNUT, 5/16"
37	10-27979	BOLT, 3/8" x 2" GR5
38	10-20032	X13 LIFT ARM BASE
39	10-28997	1/2T EYE HOIST HOOK PAINTED W/LATCH
40	10-20083	5/16" MIDLINK
41	10-17403	BOLT, 1/2" x 2-1/2" GR5
42	10-20028	X13 LIFT ARM
43	10-19648	SADDLE PIN
44	10-17464	X13 TURN BUCKLE
45	10-27589	BOLT, 5/8" x 2-1/2" GR8
46	10-21171	BUSHING, THRUST ADJUSTER
47	10-27588	FLANGE NUT, 5/8"
48	10-27576WH	COVER, THRUST ADJUSTER
49	10-27587	HEXNUT, 1-1/2"

X130-74 TUBE ASSEMBLY

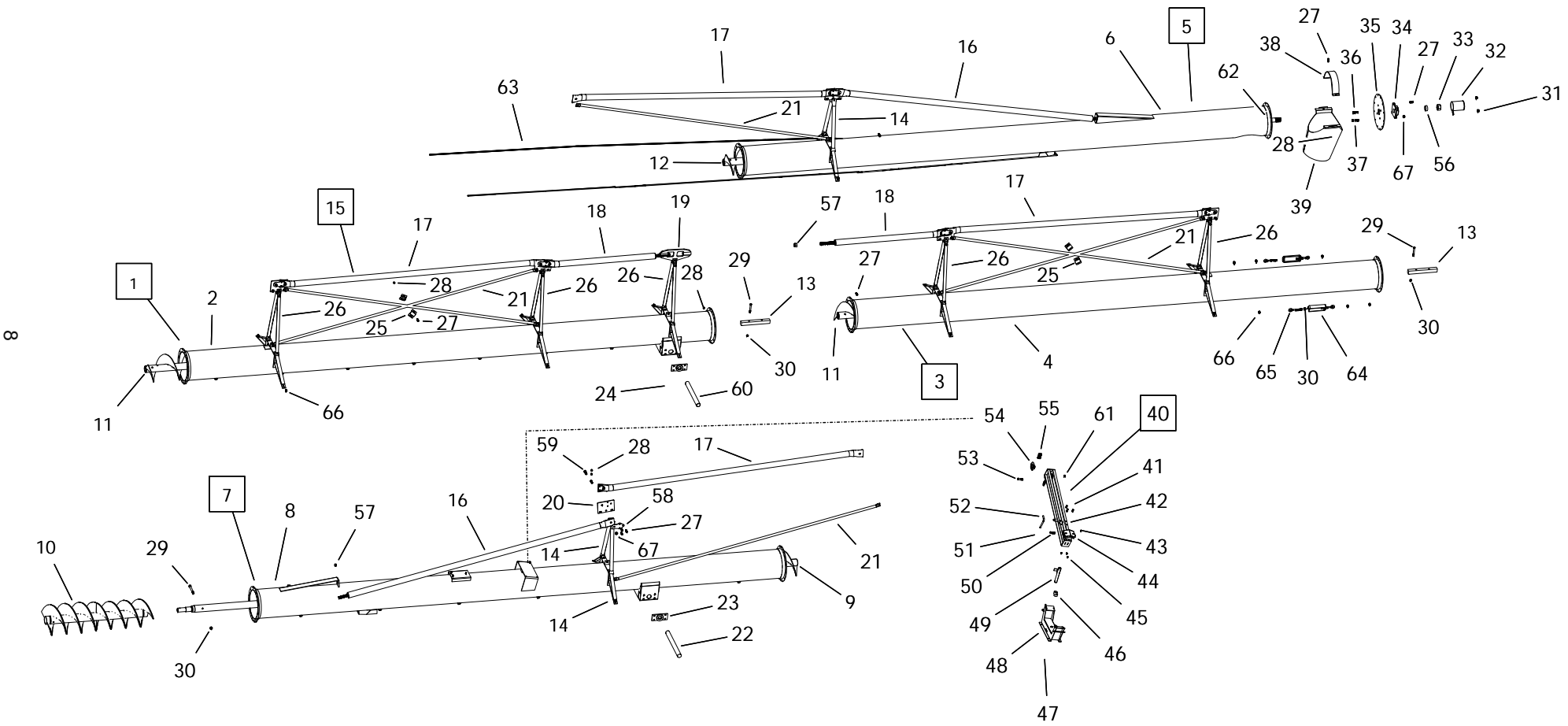


Note: GULP 2 hopper bracket added to the lower middle tube in 2014. This part is backwards compatible with all previous models. Installing a new tube that includes the GULP 2 hopper bracket does not necessarily make an auger GULP 2 hopper compatible. Please call customer service for more information.

X130-74 TUBE ASSEMBLY

ITEM	PART NO.	DESCRIPTION
50	10-18518	1-3/4" BEARING, 4 BOLT
51	10-29231WH	FLIGHT BEARING MOUNT PLATE
52	10-18544	BOLT, 5/8" x 1-3/4" GR5
53	10-18987	13" HALF BAND
54	10-29308	13" ONE PIECE SPOUT
55	10-19331	1/2" EYEBOLT
56	10-27503	85' 6" CABLE
57	10-27502	73' CABLE
58	10-20090	36' CABLE (NOT SHOWN)
59	10-19599	1/2" NC NYLON LOCKNUT GR2 PLTD
60	10-10713	CABLE PULLEY
61	10-19600	5/8" LOCKNUT
62	10-18990	3/8" CABLE CLAMP
63	10-17376	MK LP HOPPER CABLE (NOT SHOWN)
64	10-17262	5/8" LOCK WASHER PLTD.

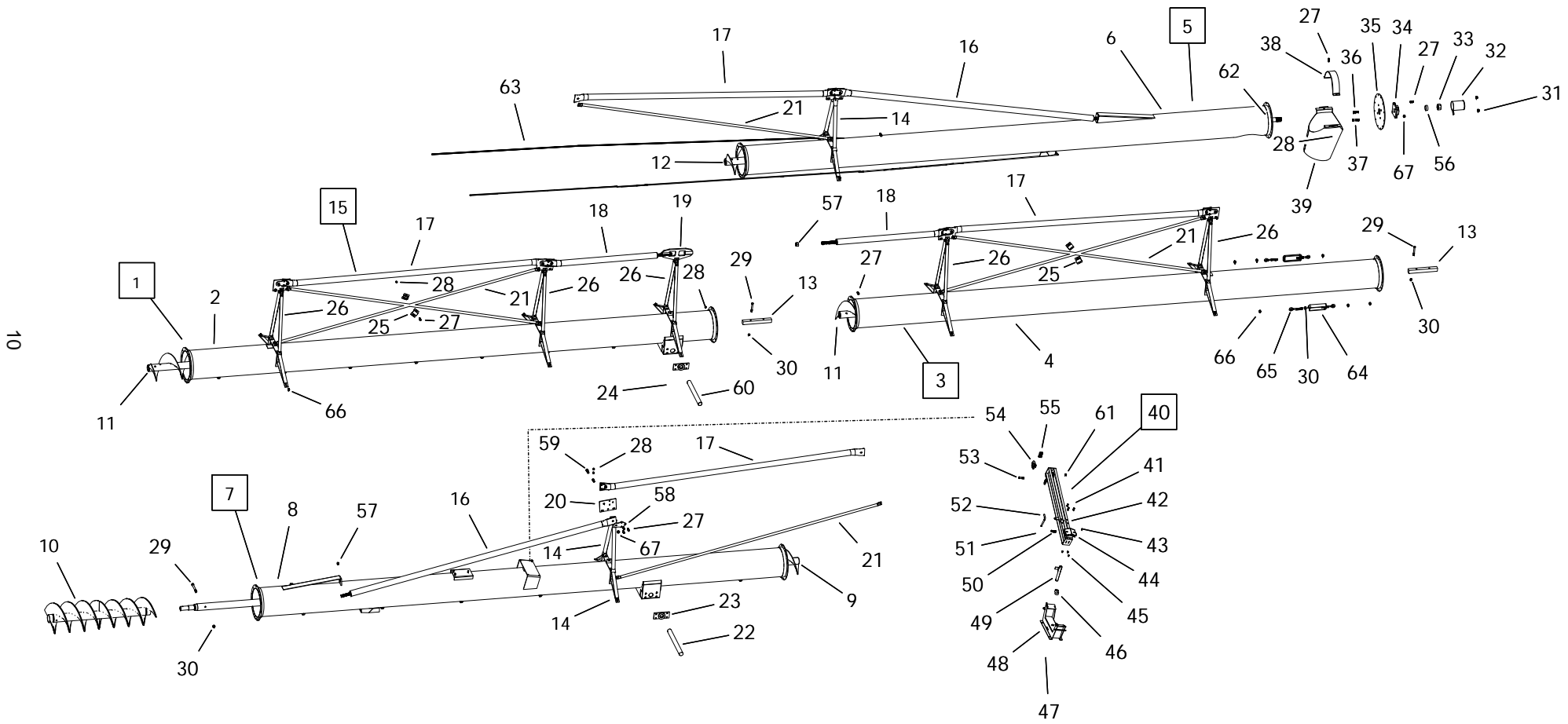
X130-84 TUBE ASSEMBLY (SERIAL NO. 11587-13999)



X130-84 TUBE ASSEMBLY (SERIAL NO. 11587-13999)

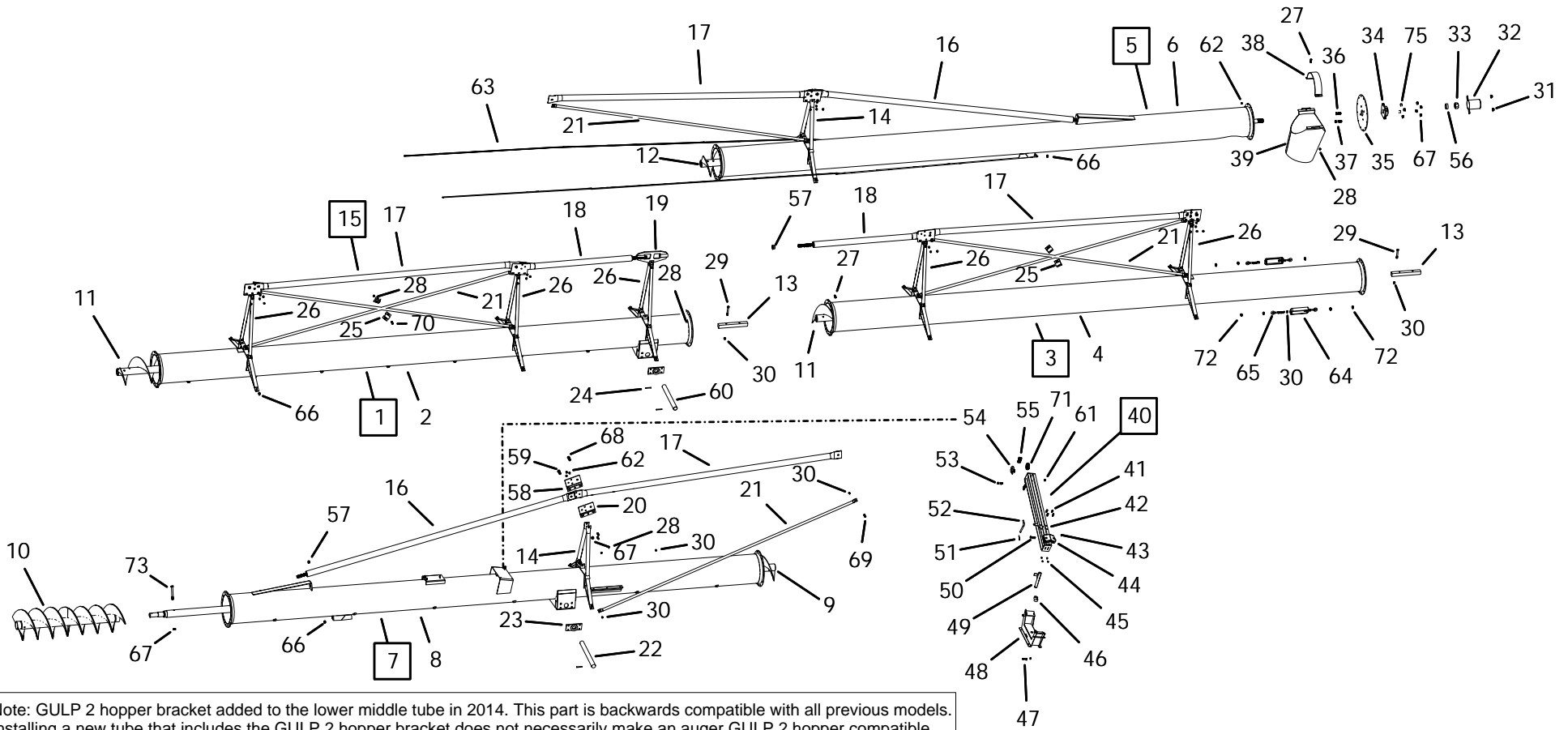
ITEM	PART NO.	DESCRIPTION
1	10-20099	X1384 LOWER MIDDLE TUBE BDL
2	10-20098	X1384 LOWER MIDDLE TUBE
3	10-29938	X1384/94 MIDDLE TUBE BDL
4	10-29937	X1384/94 MIDDLE TUBE
5	10-29940	X1374/84/94 UPPER TUBE BDL
6	10-29939	X13 UPPER TUBE
7	10-20097	X1384 LOWER TUBE BDL
8	10-20096	X1384 LOWER TUBE
9	10-29989	X13 LOWER FLIGHT
10	10-29964	X13 BOOT FLIGHT
11	10-29987	X13 MIDDLE FLIGHT
12	10-29986	X13 UPPER FLIGHT
13	10-29985	X13 FLIGHT CONNECTING SHAFT
14	10-17459WH	TRUSS TOWER
15	10-20019	TRUSS TUBE BDL
16	10-20047WH	X13 TRUSS ADJUSTER, LONG
17	10-20337WH	X13 TRUSS TUBE
18	10-20046	X13 TRUSS ADJUSTER, SHORT
19	10-20036	X13 TRUSS ADJUSTER
20	10-20341WH	TRUSS JOINER PLATE, TRIPLE
21	10-20078WH	X13 TRUSS CROSS BRACE
22	10-29995	LOWER FRAME ATTACH PIN
23	10-29962	X13 Frame Attach Spacer
24	10-28584	5/16" X 2-1/2" ROLL PIN
25	10-17405	CROSS BRACE CLAMP
26	10-17460WH	X13 TRUSS TOWER, HIGH
27	10-18698	BOLT, 7/16" x 1-1/4"
28	10-17593	LOCKNUT, 7/16" GR5
29	10-18947	BOLT, 1/2" x 4" GR8
30	10-17750	1/2" LOCKNUT
31	10-27588	FLANGE NUT, 5/8"
32	10-27576WH	COVER, THRUST ADJUSTER
33	10-27587	HEX NUT, 1-1/2" UNF
34	10-18518	1-3/4" BEARING, 4 BOLT
35	10-29231WH	FLIGHT BEARING MOUNT PLATE
36	10-18544	BOLT, 5/8" x 1-3/4" GR5
37	10-27589	BOLT, 5/8" x 2-1/2" GR5
38	10-18987	13" HALF BAND (18987)
39	10-29308	13" ONE PIECE SPOUT
40	10-20030	X13 LIFT ARM ASSEMBLY
41	10-17125	SHEAR BOLT, 5/16" x 1" GR8
42	10-20028	X13 LIFT ARM
43	10-17402	NYLON LOCKNUT, 3/8"
44	10-20033	X13 LIFT ARM PULLEY GUIDE
45	10-19980	LOCKNUT, 5/16"
46	10-20360	X13 LIFT ARM PIVOT PIN RING
47	10-28450	BOLT, 3/8" X 1-3/4" GR5
48	10-20032	X13 LIFT ARM BASE
49	10-20031	X13 LIFT ARM SWIVEL

X130-84 TUBE ASSEMBLY (SERIAL NO. 11587-13999)



X130-84 TUBE ASSEMBLY (SERIAL NO. 11587-13999)

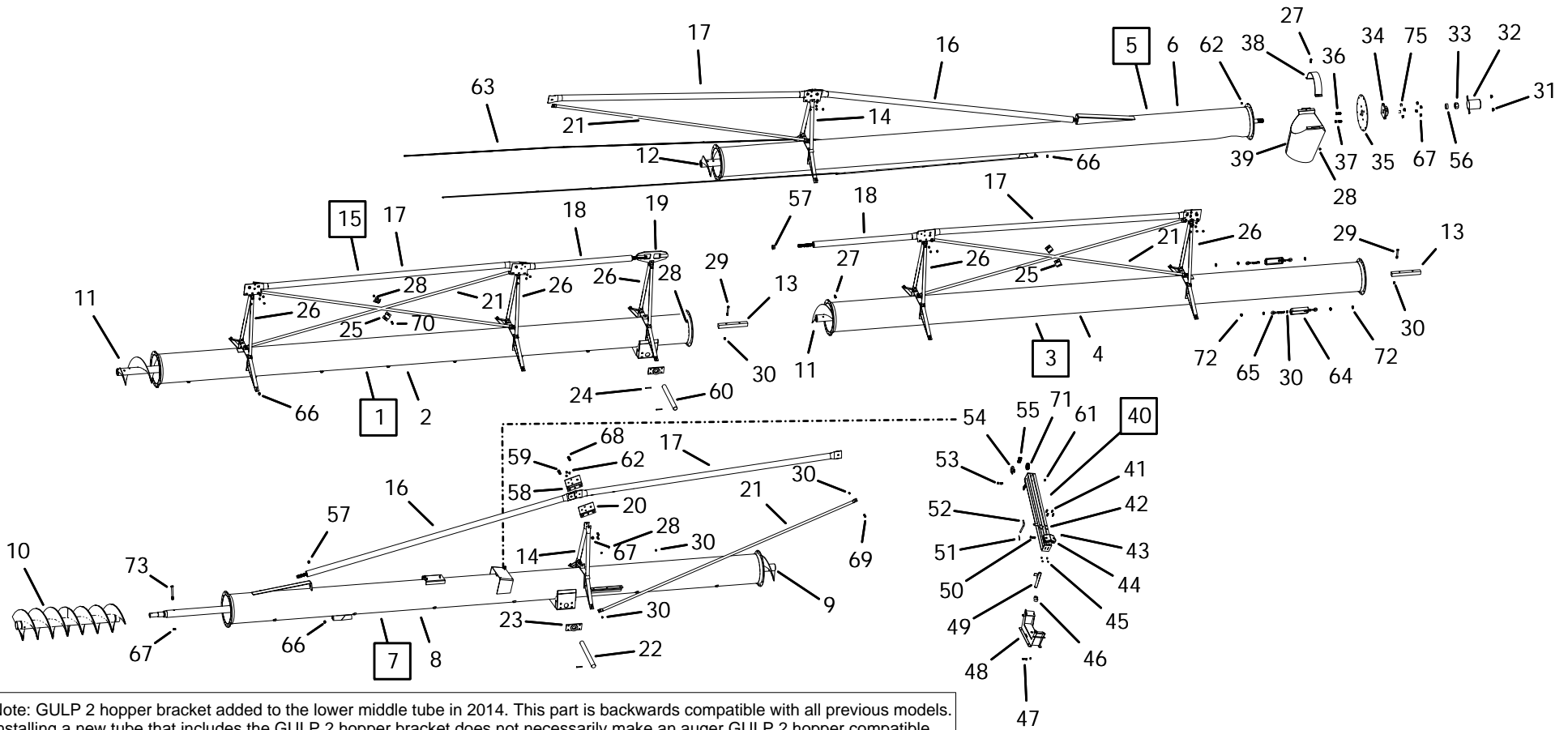
ITEM	PART NO.	DESCRIPTION
50	10-27979	BOLT, 3/8" x 2" GR5
51	10-19463	HAIRPIN 7/16" X 3/4", 1/8" DIA
52	10-19648	SADDLE PIN
53	10-27816	BOLT, 1/2" x 2" GR5
54	10-28997	1/2T EYE HOIST HOOK PAINTED W/LATCH
55	10-20083	5/16" MIDLINK
56	10-27575	BUSHING THRUST ADJUSTER
57	10-20080	HEXNUT, 1"
58	10-20338WH	TRUSS JOINER PLATE 1"
59	10-19991	BOLT, 5/8" x 2" GR8
60	10-20079	FRAME ATTACH PIN, UPPER SCISSOR
61	10-19599	LOCKNUT, 1/2"
62	10-17593	NYLON LOCKNUT, 7/16" GR5
63	10-17576	X13 TRUSS CABLE
64	10-17464	X13 TURN BUCKLE
65	10-19331	1/2" EYEBOLT
66	10-19333	5/16" CABLE CLAMP
67	10-19600	LOCKNUT, 5/8"



Note: GULP 2 hopper bracket added to the lower middle tube in 2014. This part is backwards compatible with all previous models. Installing a new tube that includes the GULP 2 hopper bracket does not necessarily make an auger GULP 2 hopper compatible. Please call customer service for more information.

X130-84 TUBE ASSEMBLY (SERIAL NO. 14000+)

ITEM	PART NO.	DESCRIPTION
1	10-20099	X1384 LOWER MIDDLE TUBE BDL
2	10-20098	X1384 LOWER MIDDLE TUBE
3	10-29938	X1384/94 MIDDLE TUBE BDL
4	10-29937	X1384/94 MIDDLE TUBE
5	10-29940	X1374/84/94 UPPER TUBE BDL
6	10-29939	X13 UPPER TUBE
7	10-20097	X1384 LOWER TUBE BDL
8	10-20096	X1384 LOWER TUBE
9	10-29989	X13 LOWER FLIGHT
10	10-29964	X13 BOOT FLIGHT
11	10-29987	X13 MIDDLE FLIGHT
12	10-29986	X13 UPPER FLIGHT
13	10-29985	X13 FLIGHT CONNECTING SHAFT
14	10-17459WH	TRUSS TOWER
15	10-21324	X1384 TRUSS TUBE BUNDLE
16	10-21301WH	X130-84/94 LONG TRUSS ADJUST TUBE
17	10-21310WH	X130-84/94 LONG TRUSS TUBE
18	10-21328	X13 TRUSS ADJUSTER, SHORT
19	10-20036	X13 TRUSS ADJUSTER
20	10-21304WH	MKX/X 13 JOINER PLATE 1
21	10-20078WH	X13 TRUSS CROSS BRACE
22	10-29995	LOWER FRAME ATTACH PIN
23	10-29962	X13 Frame Attach Spacer
24	10-28584	5/16" X 2-1/2" ROLL PIN
25	10-17405	CROSS BRACE CLAMP
26	10-17460WH	X13 TRUSS TOWER, HIGH
27	10-18698	BOLT, 7/16" x 1-1/4"
28	10-19545	7/16" X 2-1/4" GR8 bolt
29	10-18947	BOLT, 1/2" x 4" GR8
30	10-17750	1/2" LOCKNUT
31	10-27588	FLANGE NUT, 5/8"
32	10-27576WH	COVER, THRUST ADJUSTER
33	10-27587	HEX NUT, 1-1/2" UNF
34	10-18518	1-3/4" BEARING, 4 BOLT
35	10-29231WH	FLIGHT BEARING MOUNT PLATE
36	10-18544	BOLT, 5/8" x 1-3/4" GR5
37	10-27589	BOLT, 5/8" X 2-1/2" GR8
38	10-18987	13" HALF BAND (18987)
39	10-29308	13" ONE PIECE SPOUT
40	10-20030	X13 LIFT ARM ASSEMBLY
41	10-21558	SHEAR BOLT, 5/16" x 1" GR8
42	10-20028	X13 LIFT ARM
43	10-17402	NYLON LOCKNUT, 3/8"
44	10-20033	X13 LIFT ARM PULLEY GUIDE
45	10-19980	LOCKNUT, 5/16"
46	10-20360	X13 LIFT ARM PIVOT PIN RING
47	10-28450	BOLT, 3/8" X 1-3/4" GR5
48	10-20032	X13 LIFT ARM BASE
49	10-20031	X13 LIFT ARM SWIVEL

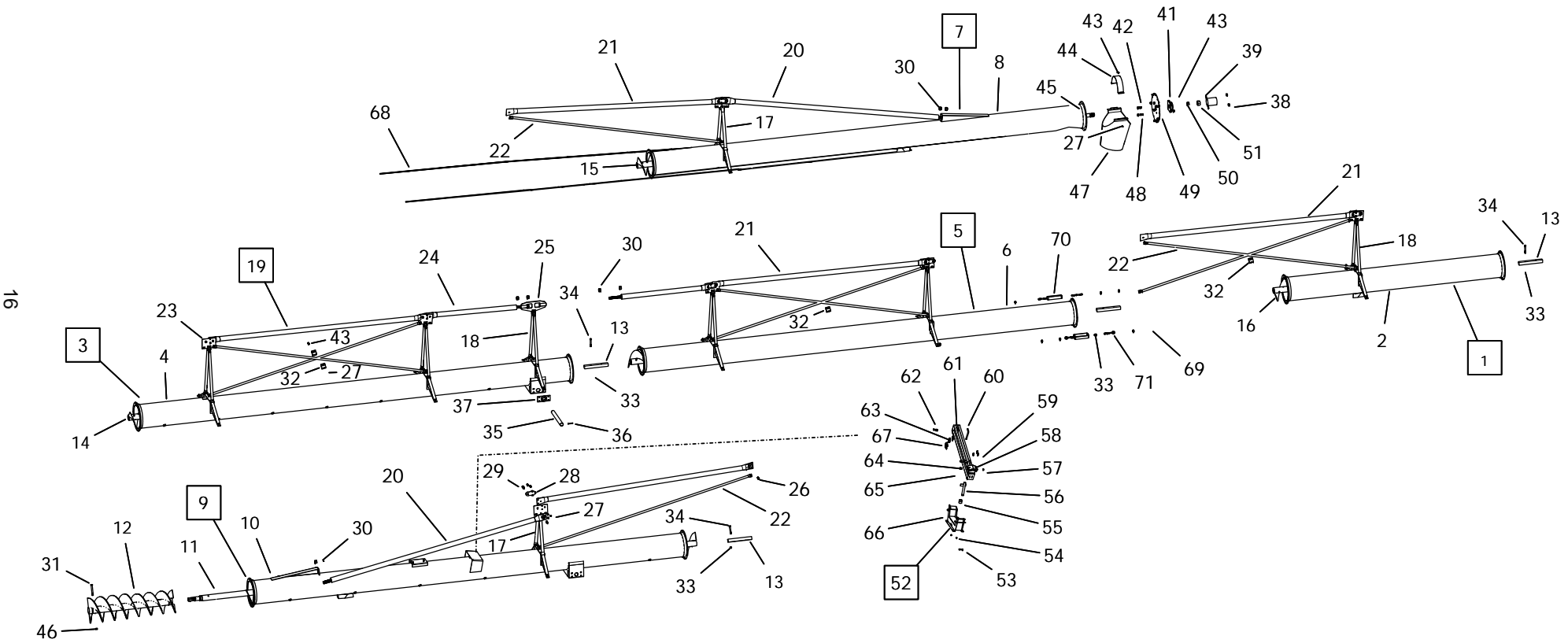


Note: GULP 2 hopper bracket added to the lower middle tube in 2014. This part is backwards compatible with all previous models. Installing a new tube that includes the GULP 2 hopper bracket does not necessarily make an auger GULP 2 hopper compatible. Please call customer service for more information.

X130-84 TUBE ASSEMBLY (SERIAL NO. 14000+)

ITEM	PART NO.	DESCRIPTION
50	10-27979	BOLT, 3/8" x 2" GR5
51	10-19463	HAIRPIN 7/16" X 3/4", 1/8" DIA
52	10-19648	SADDLE PIN
53	10-17403	BOLT, 1/2" X 2-1/2" GR5
54	10-28997	1/2T EYE HOIST HOOK PAINTED W/LATCH
55	10-20083	5/16" MIDLINK
56	10-21171	BUSHING THRUST ADJUSTER
57	10-20080	HEXNUT, 1"
58	10-21305WH	MKX/X 13 JOINER PLATE 2
59	10-27484	5/8" X 2-1/4" GR8 bolt
60	10-20079	FRAME ATTACH PIN, UPPER SCISSOR
61	10-19599	LOCKNUT, 1/2"
62	10-17593	NYLON LOCKNUT, 7/16" GR5
63	10-20085	X13 TRUSS CABLE
64	10-17464	X13 TURN BUCKLE
65	10-19331	1/2" EYEBOLT
66	10-19333	5/16" CABLE CLAMP
67	10-19600	LOCKNUT, 5/8"
68	10-19974	1/2" X 1-3/4" GR8 BOLT
69	10-19589	1/2" X 1-1/2" BOLT
70	10-19542	7/16" X 1" BOLT
71	10-10713	CABLE PULLEY
72	10-18990	3/8" CABLE CLAMP
73	10-17632	BOLT, 5/8" X 5-1/2" GR8
74	10-17376	MK LP HOPPER CABLE (NOT SHOWN)
75	10-17262	5/8" LOCK WASHER PLTD.

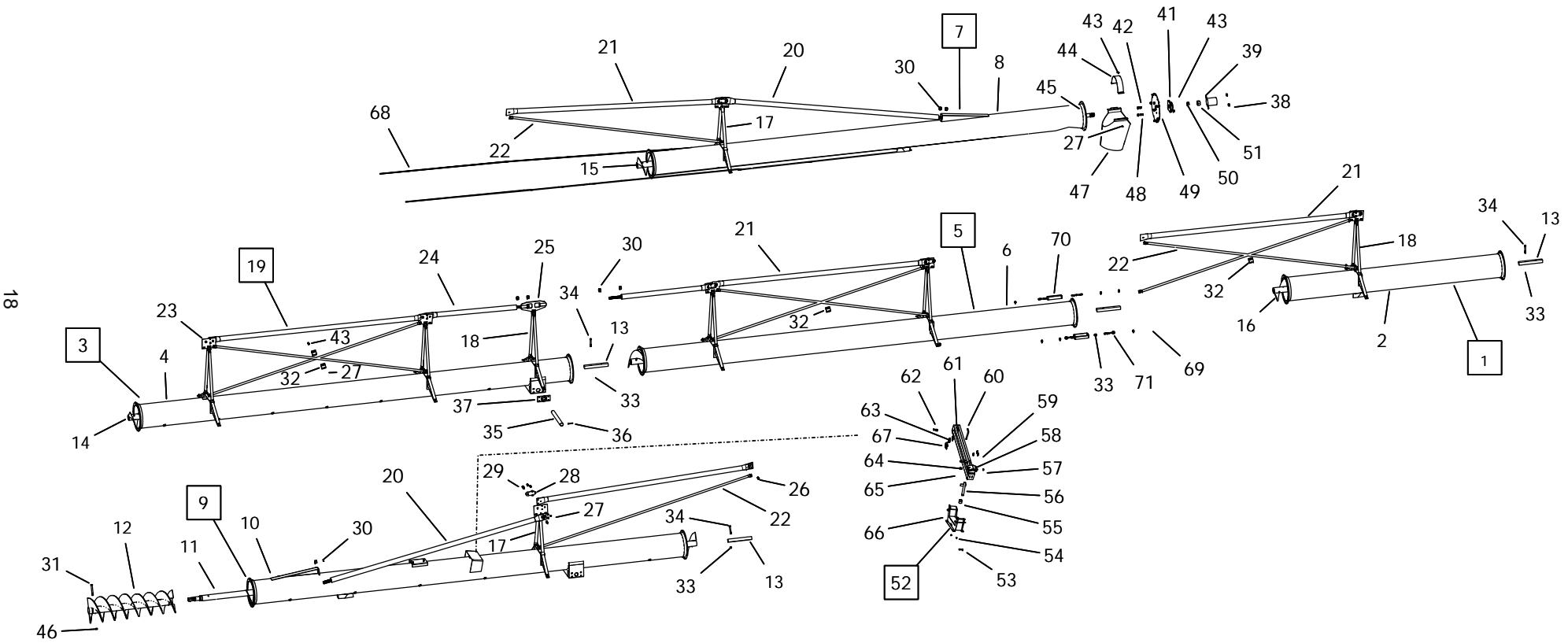
X130-94 TUBE ASSEMBLY (SERIAL NO. 11587-13999)



X130-94 TUBE ASSEMBLY (SERIAL NO. 11587-13999)

ITEM	PART NO.	DESCRIPTION
1	10-29936	X1374/94 UPPER MIDDLE TUBE BDL 10'
2	10-29935	X1374/94 UPPER MIDDLE TUBE 10'
3	10-20103	X1394 LOWER MIDDLE TUBE BDL
4	10-20102	X1394 LOWER MIDDLE TUBE
5	10-29938	X1384/94 MIDDLE TUBE BDL
6	10-29937	X1384/94 MIDDLE TUBE
7	10-29940	X1374/84/94 UPPER TUBE BDL
8	10-29939	X13 UPPER TUBE
9	10-20101	X1394 LOWER TUBE BDL
10	10-20100	X1394 LOWER TUBE
11	10-29989	X13 LOWER FLIGHT
12	10-29964	X13 BOOT FLIGHT
13	10-29985	X13 FLIGHT CONNECTING SHAFT
14	10-29987	X13 MIDDLE FLIGHT
15	10-29986	X13 UPPER FLIGHT
16	10-29988	X13 FLIGHT, 10' EXTENSION
17	10-17459WH	TRUSS TOWER
18	10-17460WH	X13 TRUSS TOWER HIGH
19	10-20020	X13 TRUSS TUBE BDL
20	10-20047WH	X13 TRUSS ADJUSTER, LONG
21	10-20337WH	X13 TRUSS TUBE
22	10-20027	X13 TRUSS CROSS BRACE BDL
22A	10-20078WH	X13 TRUSS CROSS BRACE
23	10-20341WH	TRUSS JOINER PLATE, TRIPLE
24	10-20046	X13 TRUSS ADJUSTER, SHORT
25	10-20036	X13 TRUSS ADJUSTER
26	10-19589	BOLT, 1/2" X 1-1/2" GR5
27	10-17593	LOCKNUT, 7/16" GR5
28	10-20338WH	TRUSS JOINER PLATE 1
29	10-19991	BOLT, 5/8" X 2" GR8
30	10-20080	1" HEXNUT
31	10-17632	BOLT, 5/8" X 5-1/2" GR8
32	10-17405	CROSS BRACE CLAMP
33	10-17750	1/2" LOCKNUT
34	10-18947	BOLT, 1/2" X 4" GR8
35	10-20079	FRAME ATTACH PIN, UPPER SCISSOR
36	10-28584	5/16" x 2-1/2" ROLL PIN
37	10-29962	FRAME ATTACH SPACER
38	10-27588	FLANGE NUT, 5/8"
39	10-27576	COVER, THRUST ADJUSTER
41	10-18518	1-3/4" BEARING, 4 BOLT
42	10-18544	BOLT, 5/8" X 1-3/4" GR5
43	10-18698	BOLT, 7/16" X 1-1/4"
44	10-18987	13" HALF BAND
45	10-17593	LOCKNUT, 7/16" GR5
46	10-19600	LOCKNUT, 5/8"
47	10-29308	13" ONE PIECE SPOUT
48	10-27589	BOLT, 5/8" X 2-1/2" GR5
49	10-29231WH	FLIGHT BEARING MOUNT PLATE

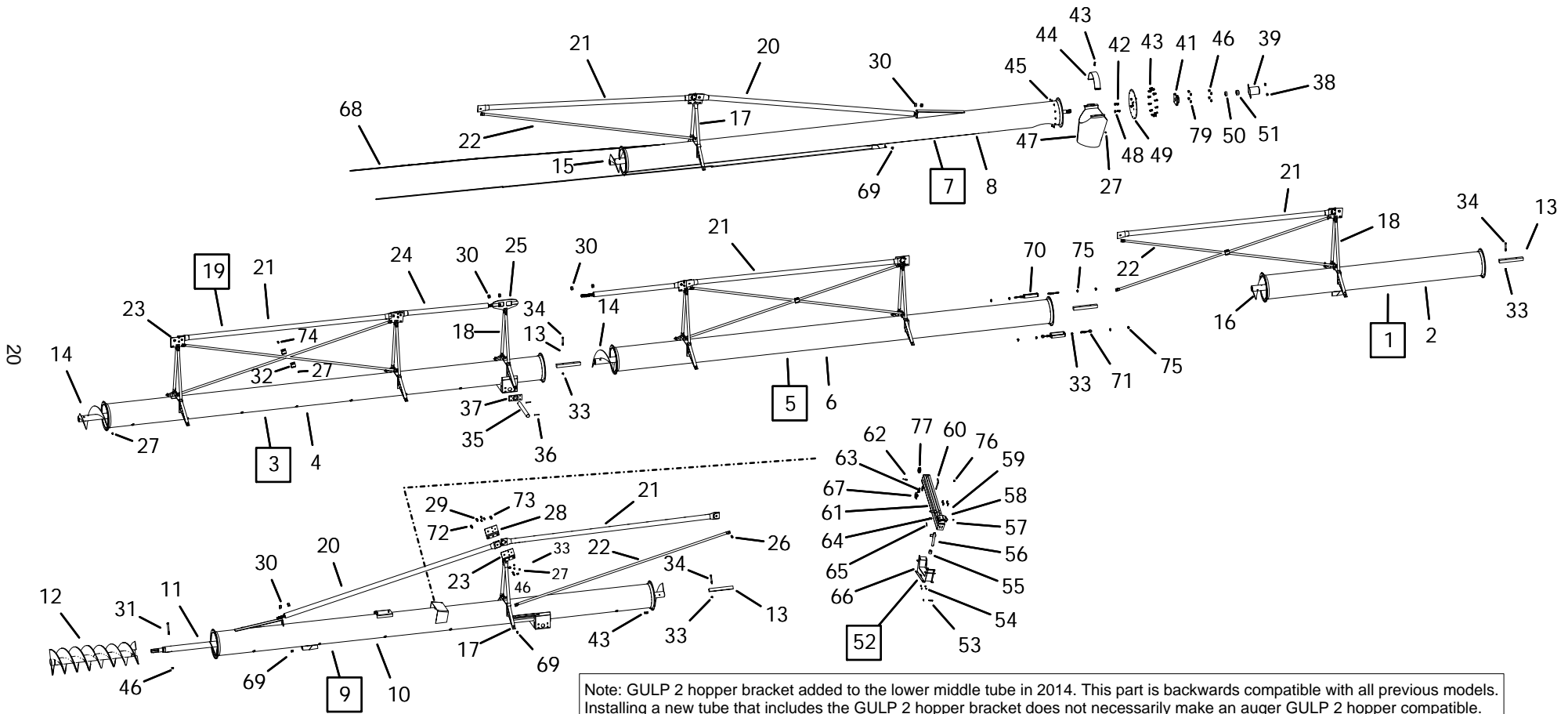
X130-94 TUBE ASSEMBLY (SERIAL NO. 11587-13999)



18

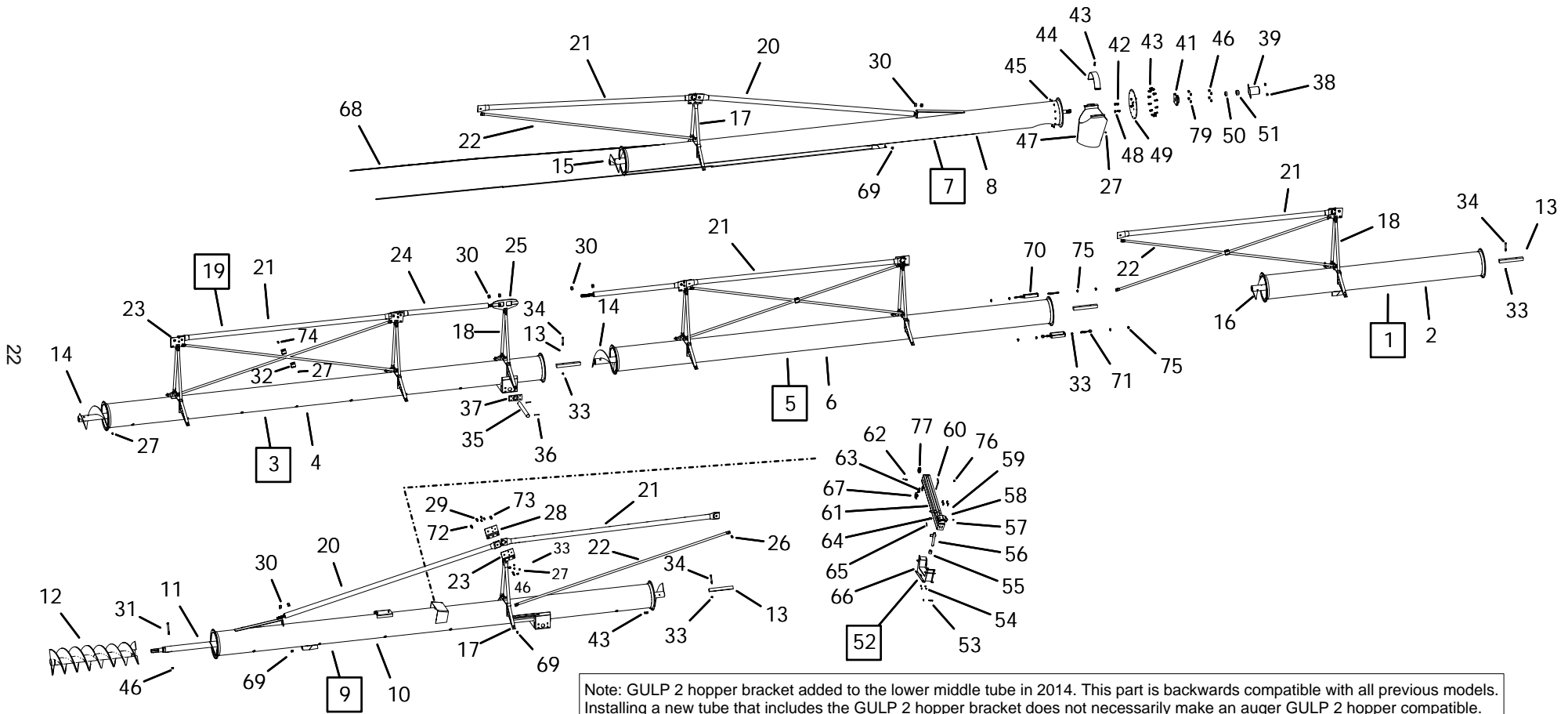
X130-94 TUBE ASSEMBLY (SERIAL NO. 11587-13999)

ITEM	PART NO.	DESCRIPTION
50	10-27575	BUSHING THRUST ADJUSTER
51	10-27587	HEXNUT, 1-1/2" UNF
52	10-20030	X13 LIFT ARM ASSEMBLY
53	10-28450	BOLT, 3/8" X 1-3/4" GR5
54	10-19980	LOCKNUT, 5/16"
55	10-20360	SPACER BUSHING
56	10-20031	X13 LIFT ARM SWIVEL
57	10-17402	NYLON LOCKNUT, 3/8"
58	10-20033	X13 LIFT ARM PULLEY GUIDE
59	10-17125	SHEAR BOLT, 5/16" X 1" GR8
60	10-19648	SADDLE PIN
61	10-20028	X13 LIFT ARM
62	10-27816	BOLT, 1/2" X 2" GR5
63	10-20083	5/16" MIDLINK
64	10-27979	BOLT, 3/8" X 2" GR5
65	10-19463	HAIRPIN 7/16"-3/4", 1/8" DIA
66	10-20032	X13 LIFT ARM BASE
67	10-28997	1/2T EYE HOIST HOOK PAINTED W/LATCH
68	10-17576	X13 TRUSS CABLE
69	10-19333	5/16" CABLE CLAMP
70	10-17464	X13 TURN BUCKLE
71	10-19331	1/2" EYEBOLT



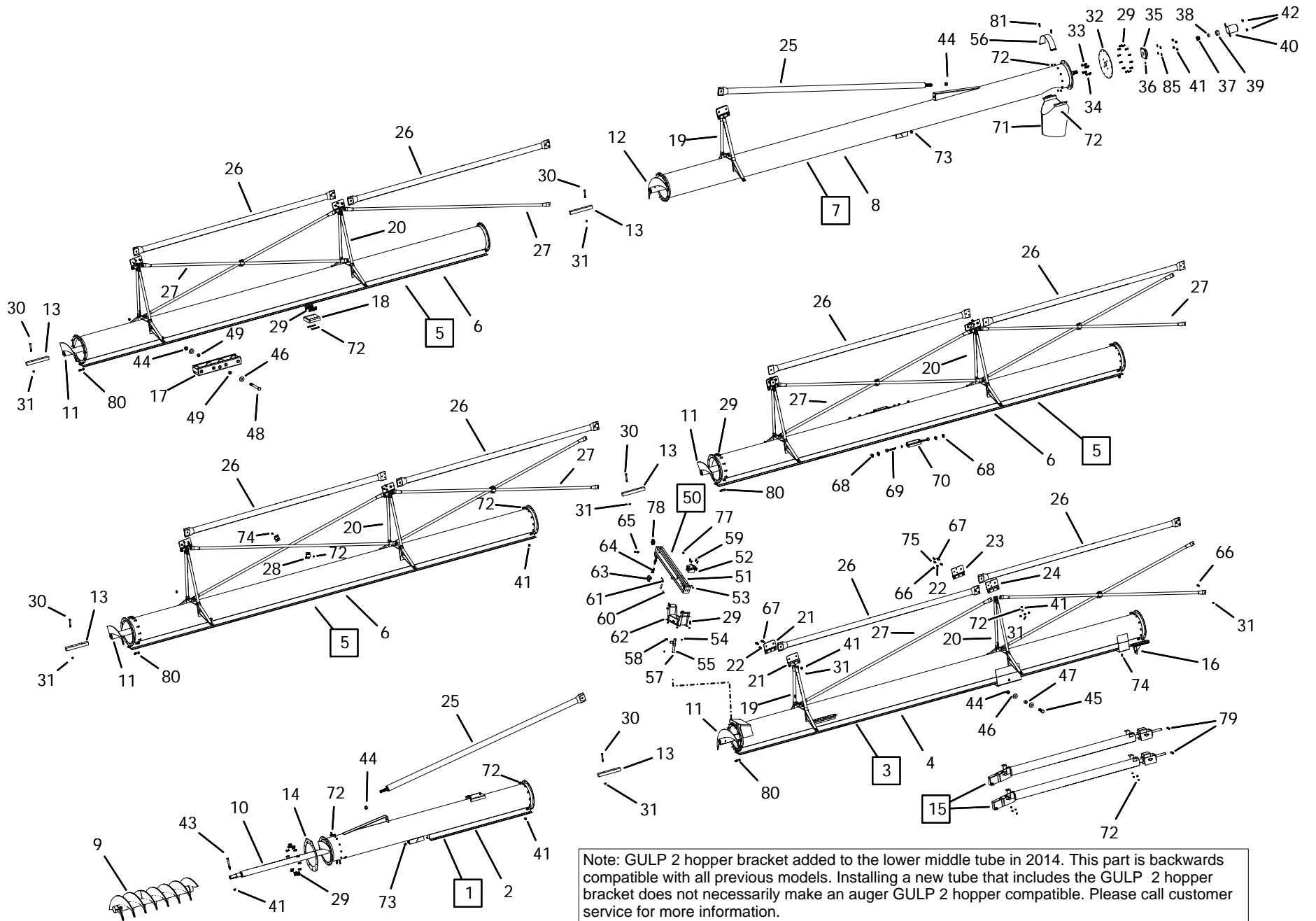
X130-94 TUBE ASSEMBLY (SERIAL NO. 14000+)

ITEM	PART NO.	DESCRIPTION
1	10-29936	X1374/94 UPPER MIDDLE TUBE BDL 10'
2	10-29935	X1374/94 UPPER MIDDLE TUBE 10'
3	10-20103	X1394 LOWER MIDDLE TUBE BDL
4	10-20102	X1394 LOWER MIDDLE TUBE
5	10-29938	X1384/94 MIDDLE TUBE BDL
6	10-29937	X1384/94 MIDDLE TUBE
7	10-29940	X1374/84/94 UPPER TUBE BDL
8	10-29939	X13 UPPER TUBE
9	10-20101	X1394 LOWER TUBE BDL
10	10-20100	X1394 LOWER TUBE
11	10-29989	X13 LOWER FLIGHT
12	10-29964	X13 BOOT FLIGHT
13	10-29985	X13 FLIGHT CONNECTING SHAFT
14	10-29987	X13 MIDDLE FLIGHT
15	10-29986	X13 UPPER FLIGHT
16	10-29988	X13 FLIGHT, 10' EXTENSION
17	10-17459WH	TRUSS TOWER
18	10-17460WH	X13 TRUSS TOWER HIGH
19	10-21325	X1394 TRUSS TUBE BUNDLE
20	10-21301WH	X13 TRUSS ADJUSTER, LONG
21	10-21310WH	X130-84/94 LONG TRUSS TUBE
22	10-20027	X13 TRUSS CROSS BRACE BDL
22A	10-20078WH	X13 TRUSS CROSS BRACE
23	10-21304WH	MKX/X 13 JOINER PLATE 1
24	10-21328	X13 TRUSS ADJUST TUBE, SHORT
25	10-20036	X13 TRUSS ADJUSTER
26	10-19589	BOLT, 1/2" X 1-1/2" GR8
27	10-17593	LOCKNUT, 7/16" GR5
28	10-21305WH	MKX/X 13 JOINER PLATE 2
29	10-27484	5/8" X 2-1/4" GR8 BOLT
30	10-20080	1" HEXNUT
31	10-17632	BOLT, 5/8" X 5-1/2" GR8
32	10-17405	CROSS BRACE CLAMP
33	10-17750	1/2" LOCKNUT
34	10-18947	BOLT, 1/2" X 4" GR8
35	10-20079	FRAME ATTACH PIN, UPPER SCISSOR
36	10-28584	5/16" x 2-1/2" ROLL PIN
37	10-29962	FRAME ATTACH SPACER
38	10-27588	FLANGE NUT, 5/8"
39	10-27576WH	COVER, THRUST ADJUSTER
41	10-18518	1-3/4" BEARING, 4 BOLT
42	10-18544	BOLT, 5/8" X 1-3/4" GR5
43	10-18698	BOLT, 7/16" X 1-1/4"
44	10-18987	13" HALF BAND
46	10-19600	LOCKNUT, 5/8"
47	10-29308	13" ONE PIECE SPOUT
48	10-27589	BOLT, 5/8" X 2-1/2" GR8
49	10-29231WH	FLIGHT BEARING MOUNT PLATE
50	10-21171	BUSHING THRUST ADJUSTER



X130-94 TUBE ASSEMBLY (SERIAL NO. 14000+)

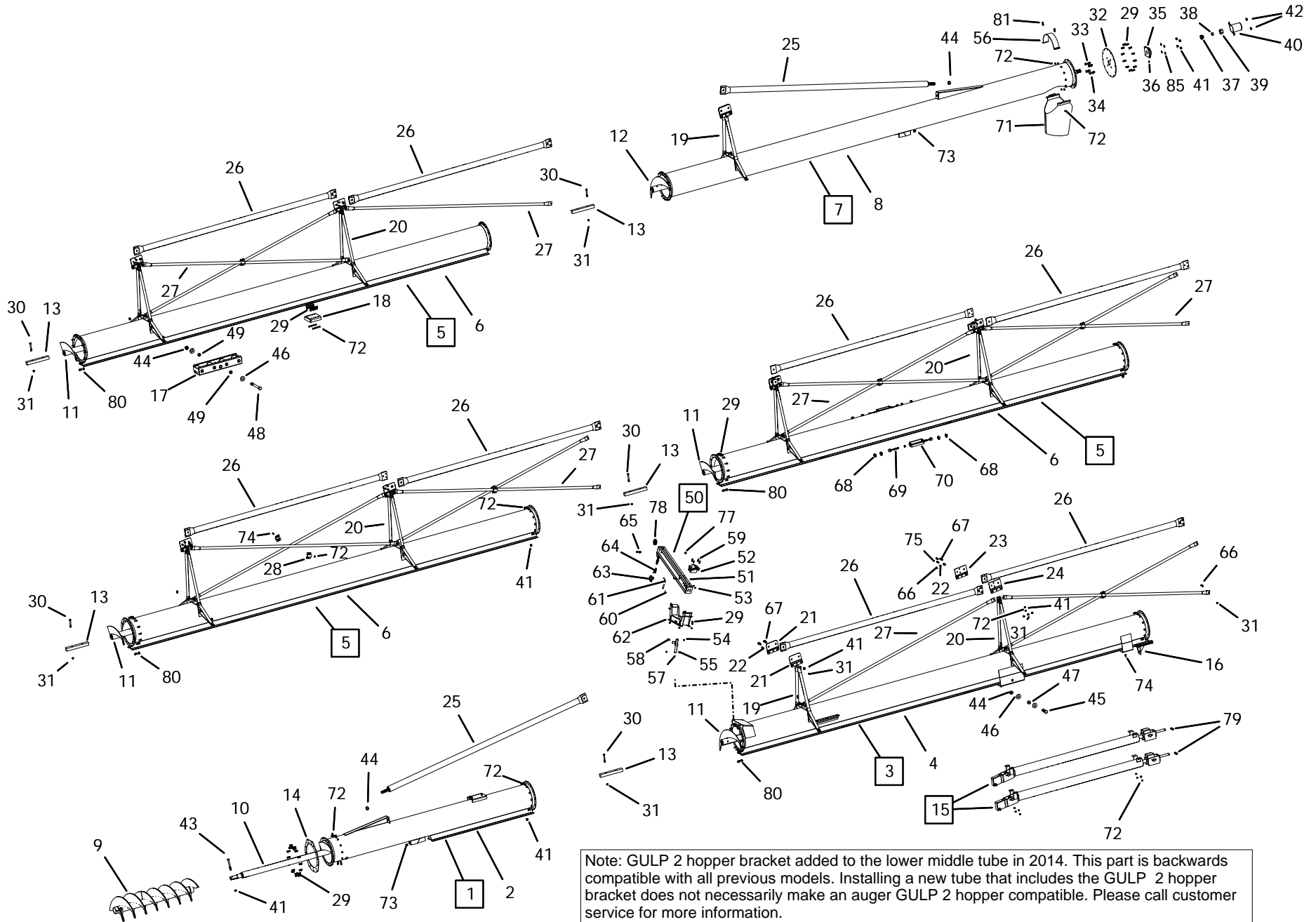
ITEM	PART NO.	DESCRIPTION
51	10-27587	HEXNUT, 1-1/2" UNF
52	10-20030	X13 LIFT ARM ASSEMBLY
53	10-28450	BOLT, 3/8" X 1-3/4" GR5
54	10-19980	LOCKNUT, 5/16"
55	10-20360	SPACER BUSHING
56	10-20031	X13 LIFT ARM SWIVEL
57	10-17402	NYLON LOCKNUT, 3/8"
58	10-20033	X13 LIFT ARM PULLEY GUIDE
59	10-21558	SHEAR BOLT, 5/16" X 1" GR8
60	10-19648	SADDLE PIN
61	10-20028	X13 LIFT ARM
62	10-17403	BOLT, 1/2" X 2-1/2" GR5
63	10-20083	5/16" MIDLINK
64	10-27979	BOLT, 3/8" X 2" GR5
65	10-19463	HAIRPIN 7/16"-3/4", 1/8" DIA
66	10-20032	X13 LIFT ARM BASE
67	10-28997	1/2T EYE HOIST HOOK PAINTED W/LATCH
68	10-20085	X13 TRUSS CABLE
69	10-19333	5/16" CABLE CLAMP
70	10-17464	X13 TURN BUCKLE
71	10-19331	1/2" EYEBOLT
72	10-19974	1/2" X 1-3/4" BOLT
73	10-19545	7/16" X 2-1/4" GR8 BOLT
74	10-19542	7/16" X 1" BOLT
75	10-18990	3/8" CABLE CLAMP
76	10-19599	1/2" NC NYLON LOCKNUT GR2 PLTD
77	10-10713	CABLE PULLEY
78	10-17376	MK LP HOPPER CABLE (NOT SHOWN)
79	10-17262	5/8" LOCK WASHER PLTD.



Note: GULP 2 hopper bracket added to the lower middle tube in 2014. This part is backwards compatible with all previous models. Installing a new tube that includes the GULP 2 hopper bracket does not necessarily make an auger GULP 2 hopper compatible. Please call customer service for more information.

X130-114 TUBE ASSEMBLY (SERIAL NO. 14000+)

ITEM	PART NO.	DESCRIPTION
1	10-20349WH	MKX130-94/114 Lower Tube Bundle
2	10-20218WH	MKX130-94/114 Lower Tube Only
3	10-20351WH	MKX130-114 Lower Middle Tube Bundle
4	10-20219WH	MKX130-114 Lower Middle Tube Only
5	10-20345WH	MKX130-84/94/114 Middle Tube Bundle
6	10-20220WH	MKX130-84/94/114 Middle Tube Only
7	10-20344WH	MKX130-84/94/114 Upper Tube Bundle
8	10-20221WH	MKX130-84/94/114 Upper Tube Only
9	10-29964	X13 BOOT FLIGHT
10	10-20194	MKX13 Lower Flight
11	10-29987	X13 MIDDLE FLIGHT
12	10-29986	X13 UPPER FLIGHT
13	10-29985	X13 FLIGHT CONNECTING SHAFT
14	10-29999	Boot Tube Attach Plate
15	10-17650	Hydraulic Cylinder Assembly
16	10-27562	Ram Guide
17	10-20295WH	MKX130-84/94/114 Trackshoe
18	10-20296	MKX130-84/94/114 Track Stop
19	10-17459WH	Low Truss Tower
20	10-17460WH	High Truss Tower
21	10-21306WH	MKX/X 13 JOINER PLATE 3
22	10-19974	1/2" X 1-3/4" NC GR8 Bolt
23	10-21305WH	MKX130 JOINER PLATE 2
24	10-21304WH	MKX130 JOINER PLATE 1
25	10-21300WH	MKX130-114 LONG ADJUST TUBE
26	10-21303WH	MKX130-114 LONG TRUSS TUBE
27	10-20254WH	MKX130-114 Truss Cross Brace
28	10-17655	Crossbrace Clamp
29	10-18698	7/16" X 1-1/4" GR8 Bolt
30	10-18947	1/2" X 4" GR8 Bolt
31	10-17750	1/2" Locknut
32	10-29231WH	Flight Bearing Mount Plate
33	10-18544	5/8" X 1-3/4" GR5 Bolt
34	10-27589	5/8" X 2-1/2" GR8 Bolt
35	10-18518	1-3/4" Bearing, with 4 hole Flange
36	10-19222	1/4" Fine Thread Zirk
37	10-17527	1-3/4" Bearing with Collar
38	10-21171	Thrust Adjuster Bushing
39	10-27587	1-1/2" UNF Hex Nut
40	10-27576WH	Thrust Adjuster Cover
41	10-19600	5/8" Locknut
42	10-27588	5/8" Flange Nut
43	10-17632	5/8" X 5-1/2" Bolt
44	10-17019	1" Locknut
45	10-17016	1" X 3-1/2" Bolt
46	10-17010	1" Flat Washer
47	10-20297	MKX Short Spacer Bushing
48	10-17015	1" X 10" GR8 Bolt
49	10-20298	Long Spacer Bushing

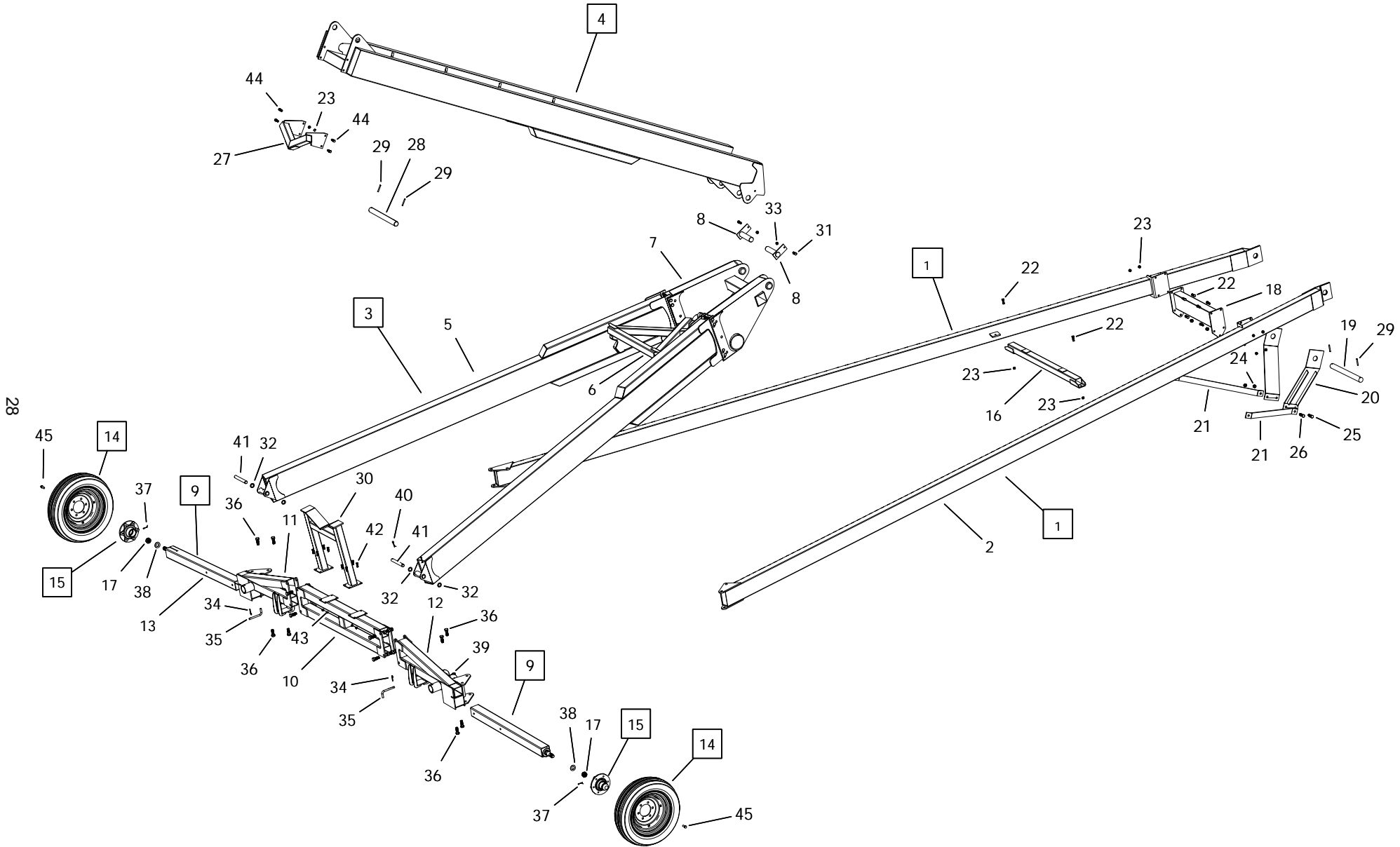


Note: GULP 2 hopper bracket added to the lower middle tube in 2014. This part is backwards compatible with all previous models. Installing a new tube that includes the GULP 2 hopper bracket does not necessarily make an auger GULP 2 hopper compatible. Please call customer service for more information.

X130-114 TUBE ASSEMBLY (SERIAL NO. 14000+)

ITEM	PART NO.	DESCRIPTION
50	10-20030	X13 Lift Arm Assembly
51	10-20028	X13 Lift Arm
52	10-20033	X13 Lift Arm Pulley Guide
53	10-19980	5/16" Locknut
54	10-17402	3/8" Locknut
55	10-28450	3/8" X 1-3/4" GR5 Bolt
56	10-18987	13" Half band
57	10-20031	Lift Arm Swivel
58	10-27979	3/8" X 2" GR5 Bolt
59	10-21558	5/16" X 1" GR8 Bolt
60	10-19463	7/16" X 3/4" X 1/8" Hairpin
61	10-19648	X13 Saddle Pin
62	10-20032	X13 Lift Arm Base
63	10-28997	1/2" Eye Hoist With Latch
64	10-20083	5/16" Midlink
65	10-17403	1/2" X 2-1/2" GR5 Bolt
66	10-19589	1/2" X 1-1/2" GR8 Bolt
67	10-27484	5/8" X 2-1/4" GR8 Bolt
68	10-18990	3/8" Cable Clamp
69	10-19331	1/2" Eyebolt
70	10-17464	MK91 Turnbuckle
71	10-29308	13" Rolled Spout
72	10-17593	7/16" Locknut, GR5
73	10-19333	5/16" Cable Clamp
74	10-19542	7/16" X 1" GR5 Bolt
75	10-19545	7/16" X 2-1/4" GR8 Bolt
76	10-17032	MKX130-114 Lift Cable (Not Shown)
77	10-19599	1/2" NC Nylon Locknut GR2 PLTD
78	10-10713	Cable Pulley
79	10-18079	5/16" X 2" Roll Pin
80	10-29251	5/8" X 2-3/4" GR8 Bolt
81	10-19981	7/16" X 1-3/4" GR8 Bolt
82	10-17020	1" FLAT WASHER
83	10-20080	1" HEXNUT
84	10-17376	MK LP HOPPER CABLE (NOT SHOWN)
85	10-17262	5/8" Lockwasher Pltd.

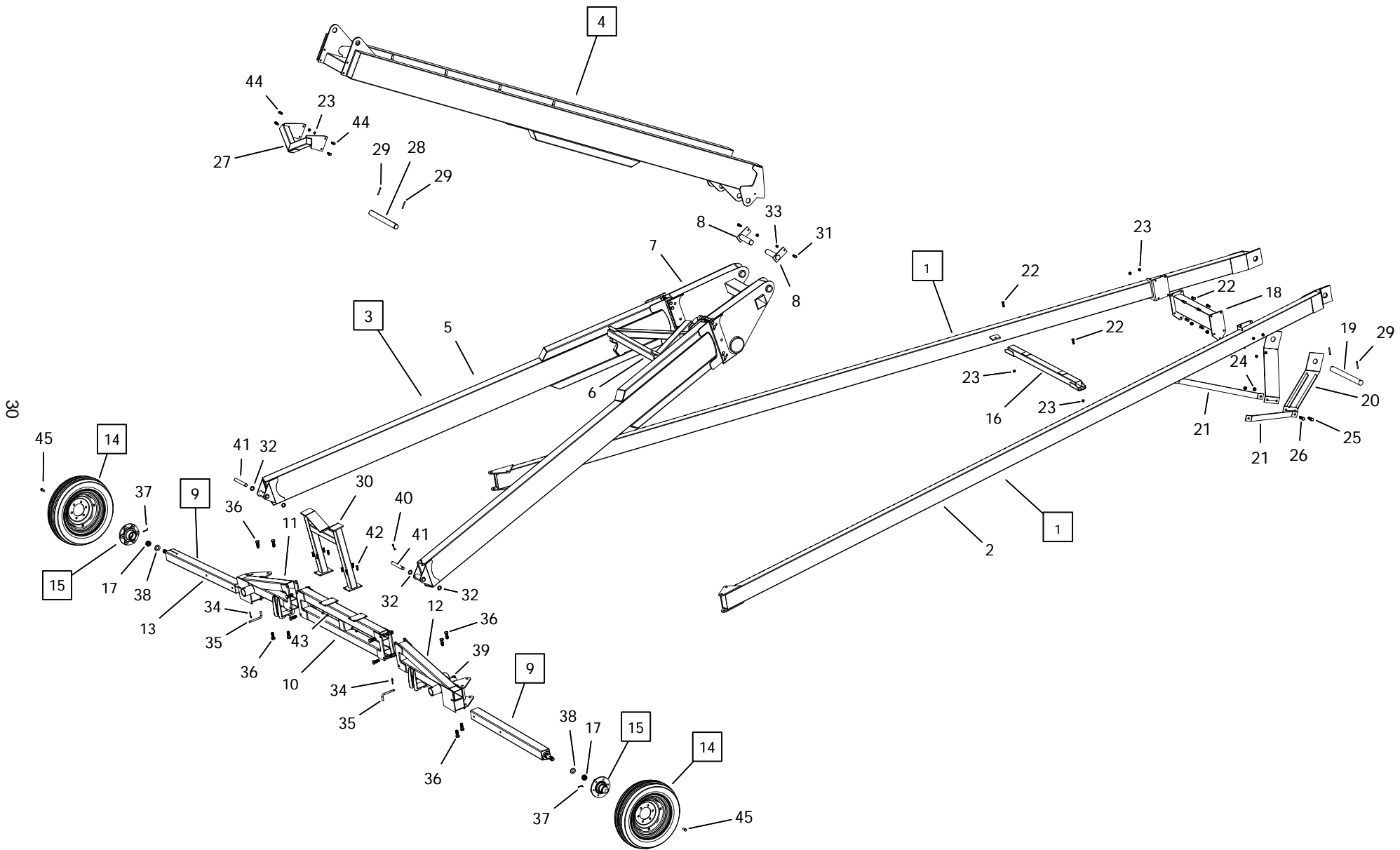
X130-74 FRAME ASSEMBLY



X130-74 FRAME ASSEMBLY

ITEM	PART NO.	DESCRIPTION
1	10-29913	LOWER ARM BDL
2	10-29912	LOWER ARM
3	10-20426	SCISSOR BDL (INCLUDES ITEM NO. 4, 5, 6, 7, 8, 9)
4	10-29916	UPPER SCISSOR
5	10-29914	LOWER SCISSOR ARM
6	10-29911	X13 BOWTIE CROSSBRACE
7	10-29910	X13 BOWTIE
8	10-29929	X13 SCISSOR PIN
9	10-20035	X13 AXLE, ASSEMBLED
10	10-29959	CENTER AXLE SECTION, 12'
11	10-29957	AXLE END, RH, 3-PIECE AXLE
12	10-29958	AXLE END, LH, 3-PIECE AXLE
13	10-29961WH	AXLE EXTENSION (2012)
14	10-29015	6 BOLT WHEEL ASSEMBLY
15	10-17013	HDA611Z HUB ASSEMBLY
16	10-29954	X13 SCISSOR REST
17	10-17011	1" SLOTTED NUT
18	10-29951	X13 STABILIZER CROSS MEMBER
19	10-29995	LOWER FRAME ATTACH PIN
20	10-29950	X13 STABILIZER BRACKET
21	10-29952	X1374/84 STABILIZER BRACE
22	10-19589	BOLT, 1/2" x 1 1/2" GR8
23	10-17750	LOCKNUT, 1/2"
24	10-19600	LOCKNUT, 5/8"
25	10-19590	BOLT, 5/8" x 1-1/2" GR8
26	10-27484	BOLT, 5/8" x 2-1/4" GR8
27	10-20241	X13 TRANSPORT GUIDE
28	10-20079	FRAME ATTACH PIN, UPPER SCISSOR
29	10-28584	5/16" x 1-1/4" ROLL PIN
30	10-20240	X13 TRANSPORT STAND
31	10-18698	BOLT, 7/16" x 1 1/4" GR8
32	10-18097	1" RIM WASHER
33	10-19598	NYLON LOCKNUT, 7/16" PLTD GR2
34	10-19463	HAIRPIN 7/16-3/4, 1/8 DIA
35	10-20008	X13 AXLE PIN
36	10-19592	3/4" x 2" BOLT GR8
37	10-19271	1/8" X 1-1/2" COTTER PIN
38	10-17010	1" SAE WASHER
39	10-19601	NYLON LOCKNUT, 3/4"
40	10-18098	COTTER PIN, 1/4" X 1-3/4"
41	10-20049	X13 LOWER SCISSOR ATTACH PIN
42	10-19975	BOLT, 3/8" X 1-1/4" GR5
43	10-17402	NYLON LOCKNUT, 3/8" PLTD
44	10-19974	BOLT, 1/2" x 1-3/4" GR8
45	10-19273	WHEEL BOLT, 1/2" X 1-3/4"

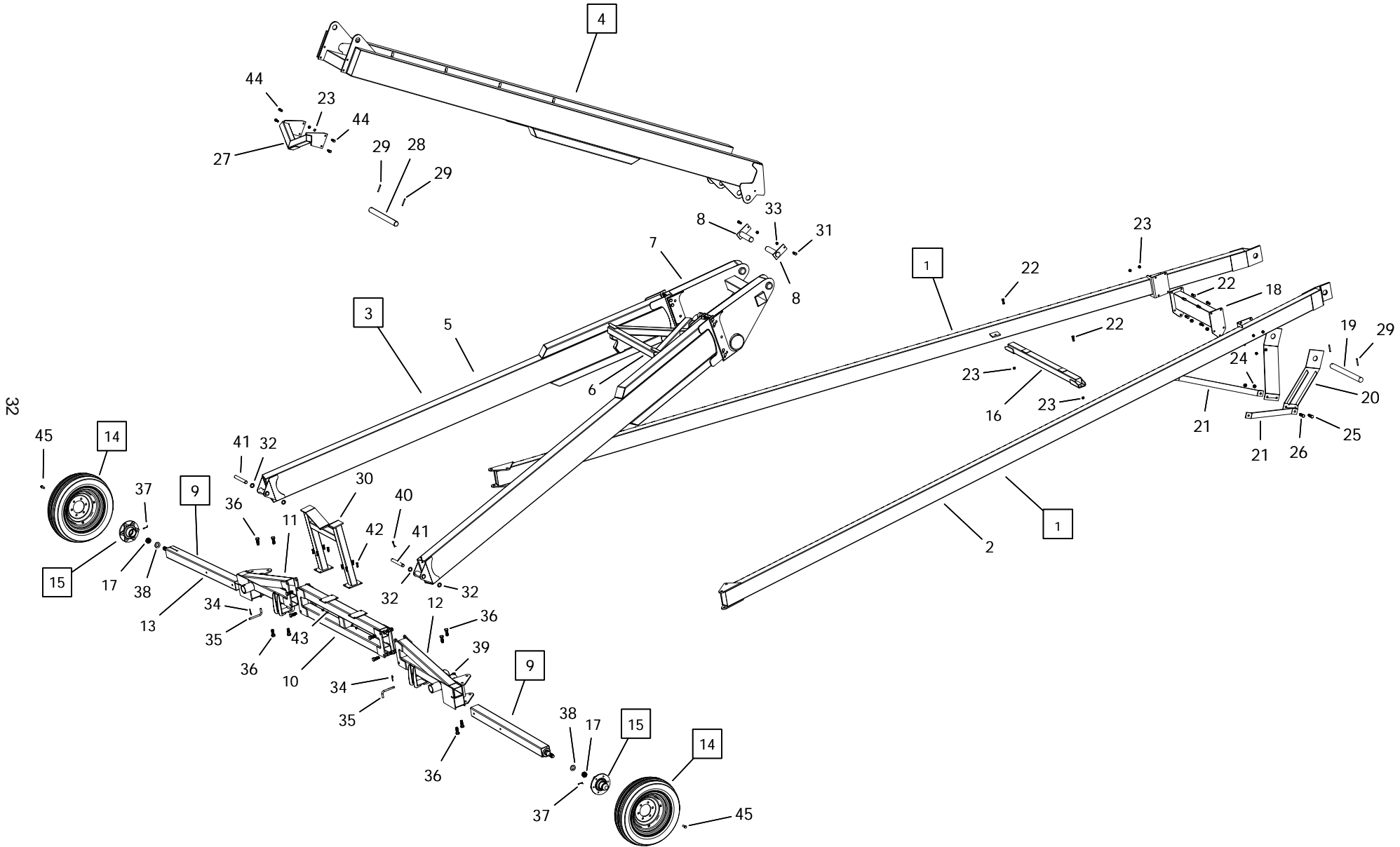
X130-84 FRAME ASSEMBLY



X130-84 FRAME ASSEMBLY

ITEM	PART NO.	DESCRIPTION
1	10-29918	LOWER ARM BDL
2	10-29917	LOWER ARM
3	10-20427	SCISSOR BDL (INCLUDES ITEM NO. 4, 5, 6, 7, 8, 9)
4	10-29921	UPPER SCISSOR
5	10-29919	LOWER SCISSOR ARM
6	10-29911	X13 BOWTIE CROSSBRACE
7	10-29910	X13 BOWTIE
8	10-29929	X13 SCISSOR PIN
9	10-20035	X13 AXLE, ASSEMBLED
10	10-29959	CENTER AXLE SECTION, 12'
11	10-29957	AXLE END, RH, 3-PIECE AXLE
12	10-29958	AXLE END, LH, 3-PIECE AXLE
13	10-29961WH	AXLE EXTENSION (2012)
14	10-29015	6 BOLT WHEEL ASSEMBLY
15	10-17013	HDA611Z HUB ASSEMBLY
16	10-29954	X13 SCISSOR REST
17	10-17011	1" SLOTTED NUT
18	10-29951	X13 STABILIZER CROSS MEMBER
19	10-29995	LOWER FRAME ATTACH PIN
20	10-29950	X13 STABILIZER BRACKET
21	10-29952	X1374/84 STABILIZER BRACE
22	10-19589	BOLT, 1/2" x 1 1/2" GR8
23	10-17750	LOCKNUT, 1/2"
24	10-19600	LOCKNUT, 5/8"
25	10-19590	BOLT, 5/8" x 1-1/2" GR8
26	10-27484	BOLT, 5/8" x 2-1/4" GR8
27	10-20241	X13 TRANSPORT GUIDE
28	10-20079	FRAME ATTACH PIN, UPPER SCISSOR
29	10-28584	5/16" x 1-1/4" ROLL PIN
30	10-20240	X13 TRANSPORT STAND
31	10-18698	BOLT, 7/16" x 1 1/4" GR8
32	10-18097	1" RIM WASHER
33	10-19598	NYLON LOCKNUT, 7/16" PLTD GR2
34	10-19463	HAIRPIN 7/16-3/4, 1/8 DIA
35	10-20008	X13 AXLE PIN
36	10-19592	3/4" x 2" BOLT GR8
37	10-19271	1/8" X 1-1/2" COTTER PIN
38	10-17010	1" SAE WASHER
39	10-19601	NYLON LOCKNUT, 3/4"
40	10-18098	COTTER PIN, 1/4" X 1-3/4"
41	10-20049	X13 LOWER SCISSOR ATTACH PIN
42	10-19975	BOLT, 3/8" X 1-1/4" GR5
43	10-17402	NYLON LOCKNUT, 3/8" PLTD
44	10-19974	BOLT, 1/2" x 1-3/4" GR8
45	10-19273	WHEEL BOLT, 1/2" X 1-3/4"

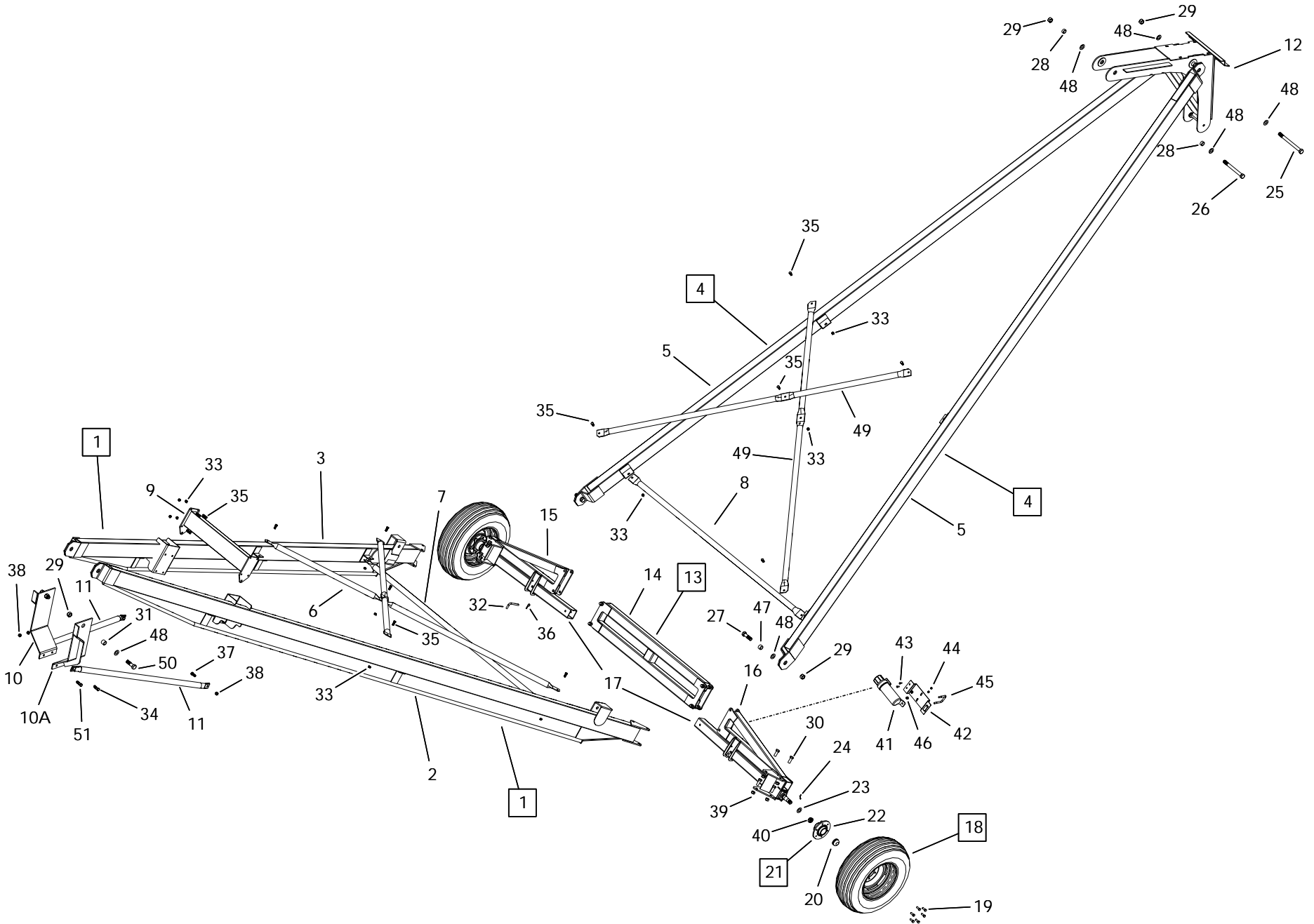
X130-94 FRAME ASSEMBLY



X130-94 FRAME ASSEMBLY

ITEM	PART NO.	DESCRIPTION
1	10-29923	LOWER ARM BDL
2	10-29922	LOWER ARM
3	10-20428	SCISSOR BDL (INCLUDES ITEM NO. 4, 5, 6, 7, 8, 9)
4	10-29926	UPPER SCISSOR
5	10-29924	LOWER SCISSOR ARM
6	10-29911	X13 BOWTIE CROSSBRACE
7	10-29910	X13 BOWTIE
8	10-29929	X13 SCISSOR PIN
9	10-20035	X13 AXLE, ASSEMBLED
10	10-29959	CENTER AXLE SECTION, 12'
11	10-29957	AXLE END, RH, 3-PIECE AXLE
12	10-29958	AXLE END, LH, 3-PIECE AXLE
13	10-29961WH	AXLE EXTENSION (2012)
14	10-29015	6 BOLT WHEEL ASSEMBLY
15	10-17013	HDA611Z HUB ASSEMBLY
16	10-29954	X13 SCISSOR REST
17	10-17011	1" SLOTTED NUT
18	10-29951	X13 STABILIZER CROSS MEMBER
19	10-29995	LOWER FRAME ATTACH PIN
20	10-29950	X13 STABILIZER BRACKET
21	10-29953	X1394 STABILIZER BRACE
22	10-19589	BOLT, 1/2" x 1 1/2" GR8
23	10-17750	LOCKNUT, 1/2"
24	10-19600	LOCKNUT, 5/8"
25	10-19590	BOLT, 5/8" x 1-1/2" GR8
26	10-27484	BOLT, 5/8" x 2-1/4" GR8
27	10-20241	X13 TRANSPORT GUIDE
28	10-20079	FRAME ATTACH PIN, UPPER SCISSOR
29	10-28584	5/16" x 1-1/4" ROLL PIN
30	10-20240	X13 TRANSPORT STAND
31	10-18698	BOLT, 7/16" x 1 1/4" GR8
32	10-18097	1" RIM WASHER
33	10-19598	NYLON LOCKNUT, 7/16" PLTD GR2
34	10-19463	HAIRPIN 7/16-3/4, 1/8 DIA
35	10-20008	X13 AXLE PIN
36	10-19592	3/4" x 2" BOLT GR8
37	10-19271	1/8" X 1-1/2" COTTER PIN
38	10-17010	1" SAE WASHER
39	10-19601	NYLON LOCKNUT, 3/4"
40	10-18098	COTTER PIN, 1/4" X 1-3/4"
41	10-20049	X13 LOWER SCISSOR ATTACH PIN
42	10-19975	BOLT, 3/8" X 1-1/4" GR5
43	10-17402	NYLON LOCKNUT, 3/8" PLTD
44	10-19974	BOLT, 1/2" x 1-3/4" GR8
45	10-19273	WHEEL BOLT, 1/2" X 1-3/4"

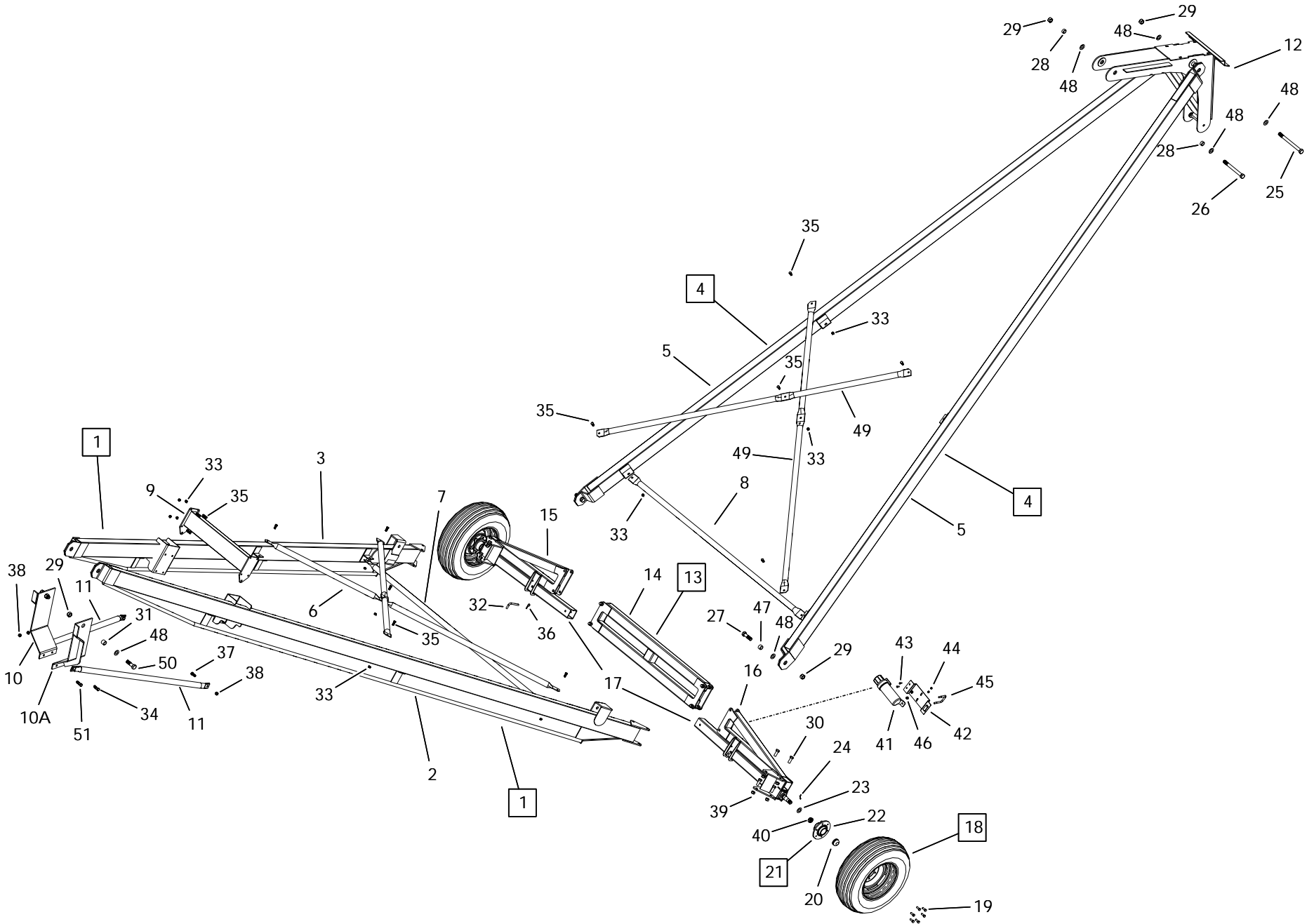
X130-114 FRAME ASSEMBLY



X130-114 FRAME ASSEMBLY

ITEM	PART NO.	DESCRIPTION
1	10-20449	Lower Frame + Tie Tube Bundle
2	10-20217WH	Lower Frame, RH
3	10-20216WH	Lower Frame, LH
4	10-20453	Upper Arm Bundle
5	10-20213WH	Upper Arm Only
6	10-20378WH	MKX130 Frame Cross Brace
7	10-20379WH	MKX130 Frame Tie Tube
8	10-20380WH	MKX130 Tie Tube
9	10-20215WH	MKX130 Short Cross Member
10	10-21865WH	MKX130-84/94/114 STABILIZER, LH
10A	10-21866WH	MKX130-84/94/114 STABILIZER, RH
11	10-20255WH	MKX 130 Stabilizer Brace
12	10-20214WH	MKX 130 Lift Assist
13	10-20288WH	MKX130 Axle Assembly
14	10-20383WH	MKX Center Axle Section
15	10-20300WH	MKX Axle End, LH
16	10-20301WH	MKX Axle End, RH
17	10-29961WH	Axle Extension (2012)
18	10-29015	16 X 6 X 6 Wheel Assembly
19	10-19273	Wheel Bolt
20	10-17012	MK130 Dust Cap
21	10-17013	HAD611Z Hub Assembly
22	10-17009	6 Bolt Hub, MK130
23	10-17010	1" SAE Flat Washer
24	10-19271	1/8" X 1-1/2" Cotter Pin
25	10-20303	1" X 12" GR8 Bolt
26	10-17015	1" x 10" GR8 Bolt
27	10-17016	1" X 3-1/2" GR8 Bolt
28	10-20297	MKX130 Short Spacer Bushing
29	10-17019	1" Locknut
30	10-19592	3/4" X 2" Bolt
31	10-20298	MKX130 Long Spacer Bushing
32	10-20008	X13 Axle Pin
33	10-17750	1/2" LOCKNUT
34	10-27484	5/8" X 2-1/4" Bolt
35	10-19589	1/2" X 1-1/2" GR8 Bolt
36	10-19463	7/16" X 3/4" X 1/8" Hairpin
37	10-19991	5/8" X 2" Bolt
38	10-19600	5/8" Locknut
39	10-19601	3/4" Locknut
40	10-17011	1" slotted nut
41	10-29755	Manual Holder, Plastic
42	10-29798WH	Manual Holder Mount
43	9900800	1/4" X 3/4" GR5 Bolt
44	10-28449	1/4" Locknut
45	10-28833	U-BOLT SQ. 3/8" NC X 3-1/16" X 4 X 1GR5
46	10-17402	3/8" Locknut
47	10-20360	MKX130 Medium Spacer Bushing
48	10-17020	1" Flat Washer

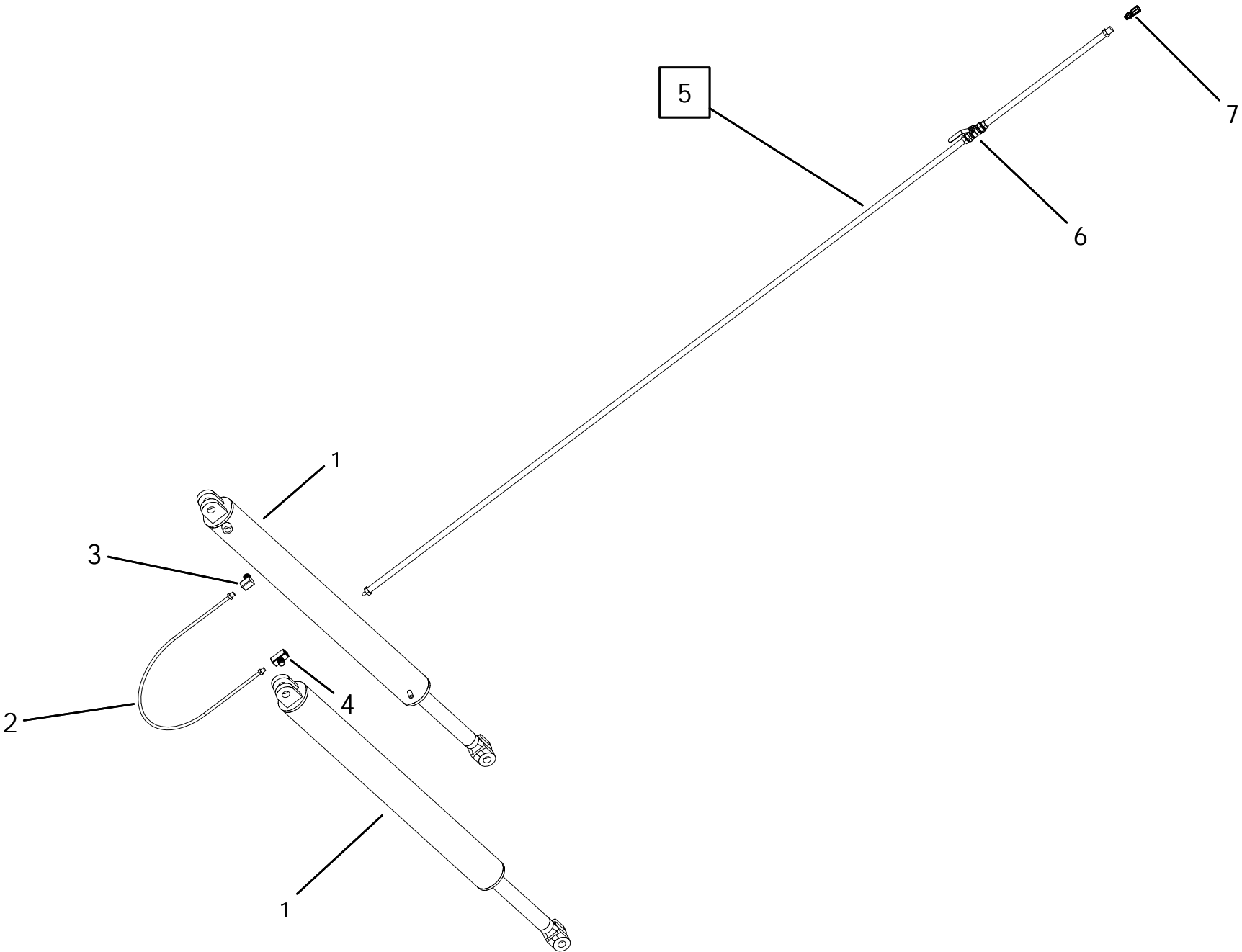
X130-114 FRAME ASSEMBLY



X130-114 FRAME ASSEMBLY

ITEM	PART NO.	DESCRIPTION
49	10-20281WH	X130-114 Frame Cross Brace
50	9900683	1/4" FLAT WASHER PLTD
51	10-19590	5/8" x 1-1/2" GR8 Bolt

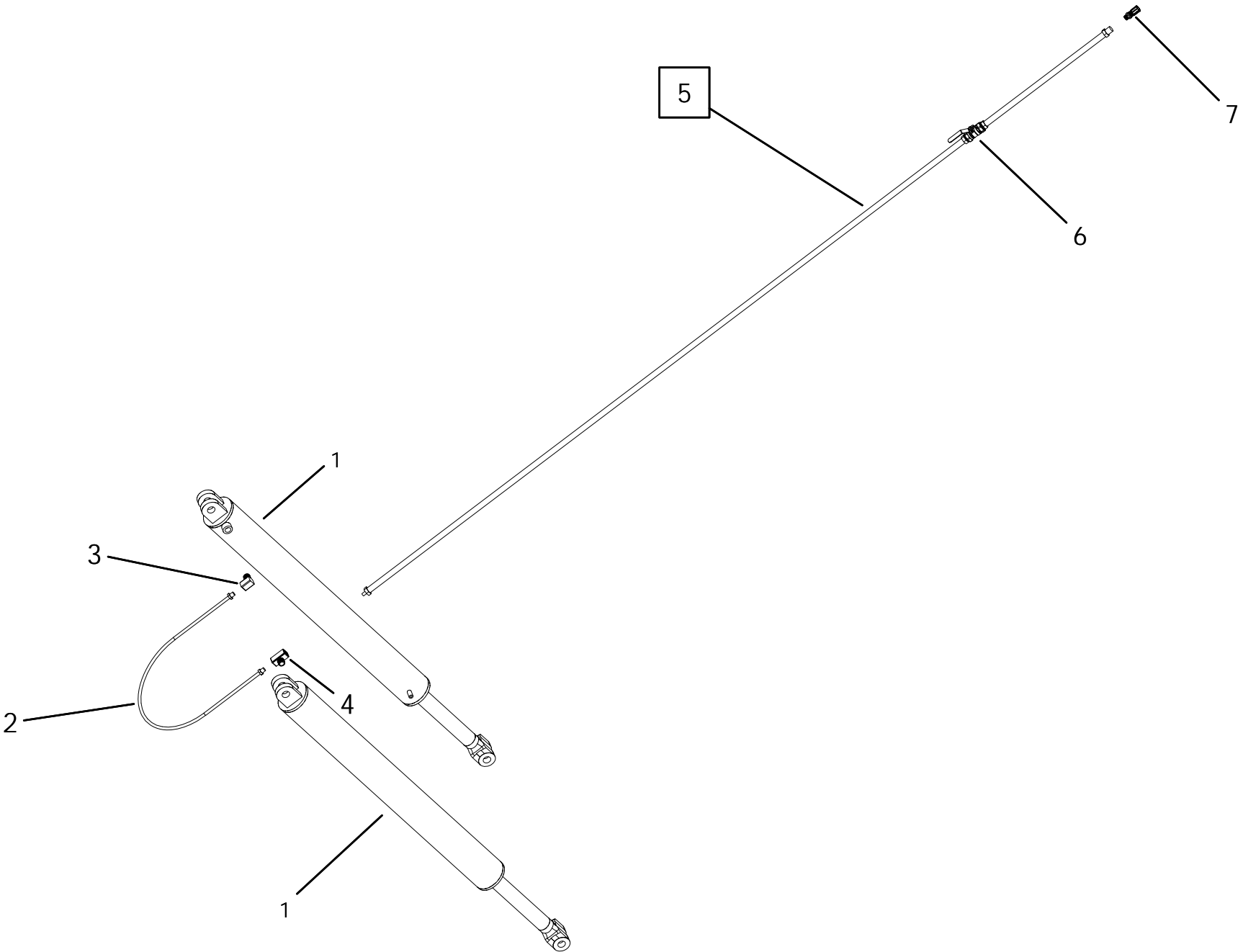
X130-74 HYDRAULIC CYLINDER ASSEMBLY



X130-74 HYDRAULIC CYLINDER ASSEMBLY

ITEM	PART NO.	DESCRIPTION
1	9900192	4" BORE X 40" STROKE HYD. CYLINDER
2	10-28468	HOSE, 3/8" X 2', 2500PSI
3	10-28478	STEEL ELBOW
4	10-28480	STEEL TEE
5	10-20058	X13 HYDRAULIC HOSE ASSEMBLY KIT (INCLUDES SHORT, LONG HOSE AND BALL VALVE)
6	10-18084	BALL VALVE
7	9900047	PIONEER COUPLER

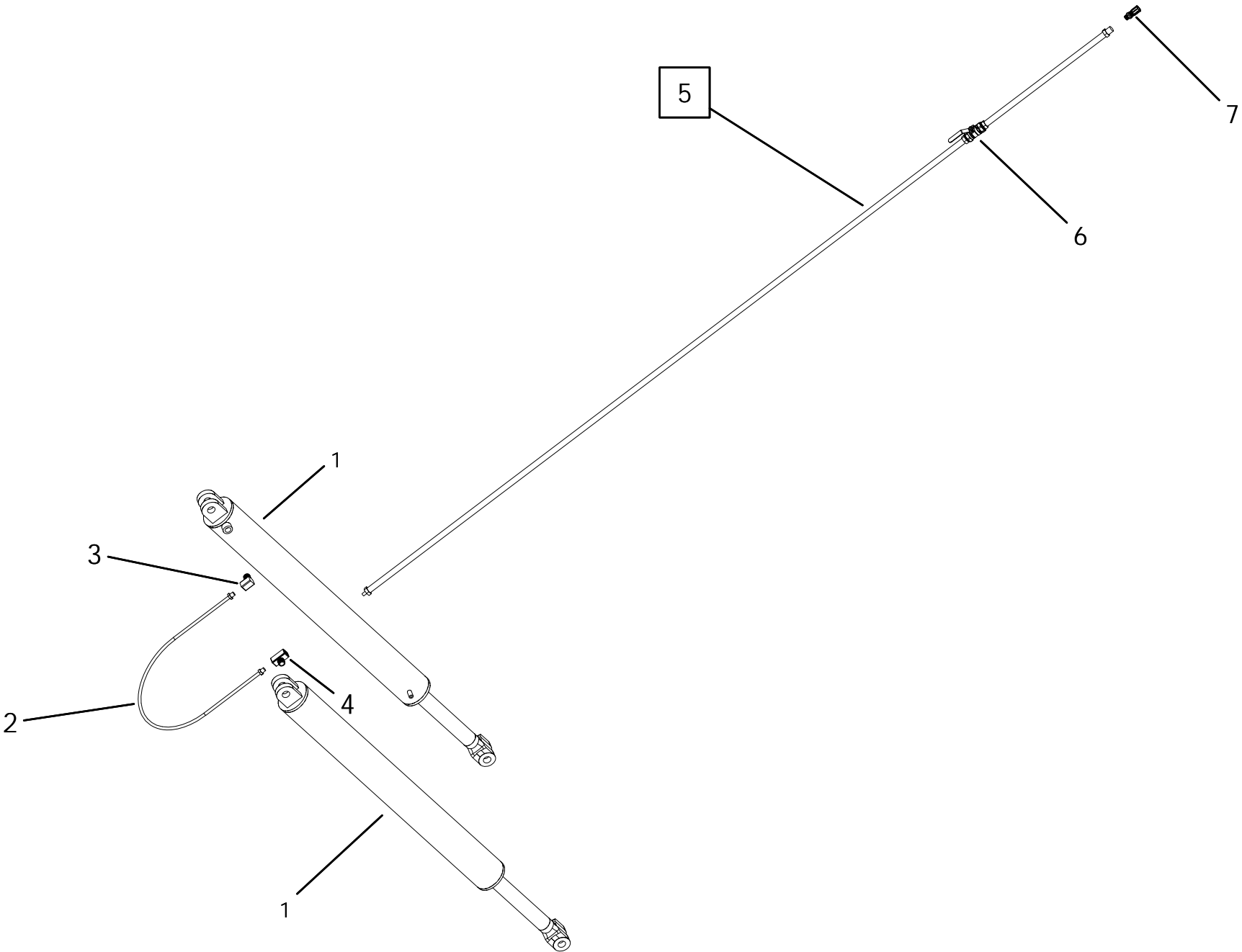
X130-84 HYDRAULIC CYLINDER ASSEMBLY



X130-84 HYDRAULIC CYLINDER ASSEMBLY

ITEM	PART NO.	DESCRIPTION
1	9900192	4" BORE X 40" STROKE HYD. CYLINDER
2	10-28468	HOSE, 3/8" X 2', 2500PSI
3	10-28478	STEEL ELBOW
4	10-28480	STEEL TEE
5	10-20059	X13 HYDRAULIC HOSE ASSEMBLY KIT (INCLUDES SHORT, LONG HOSE AND BALL VALVE)
6	10-18084	BALL VALVE
7	9900047	PIONEER COUPLER

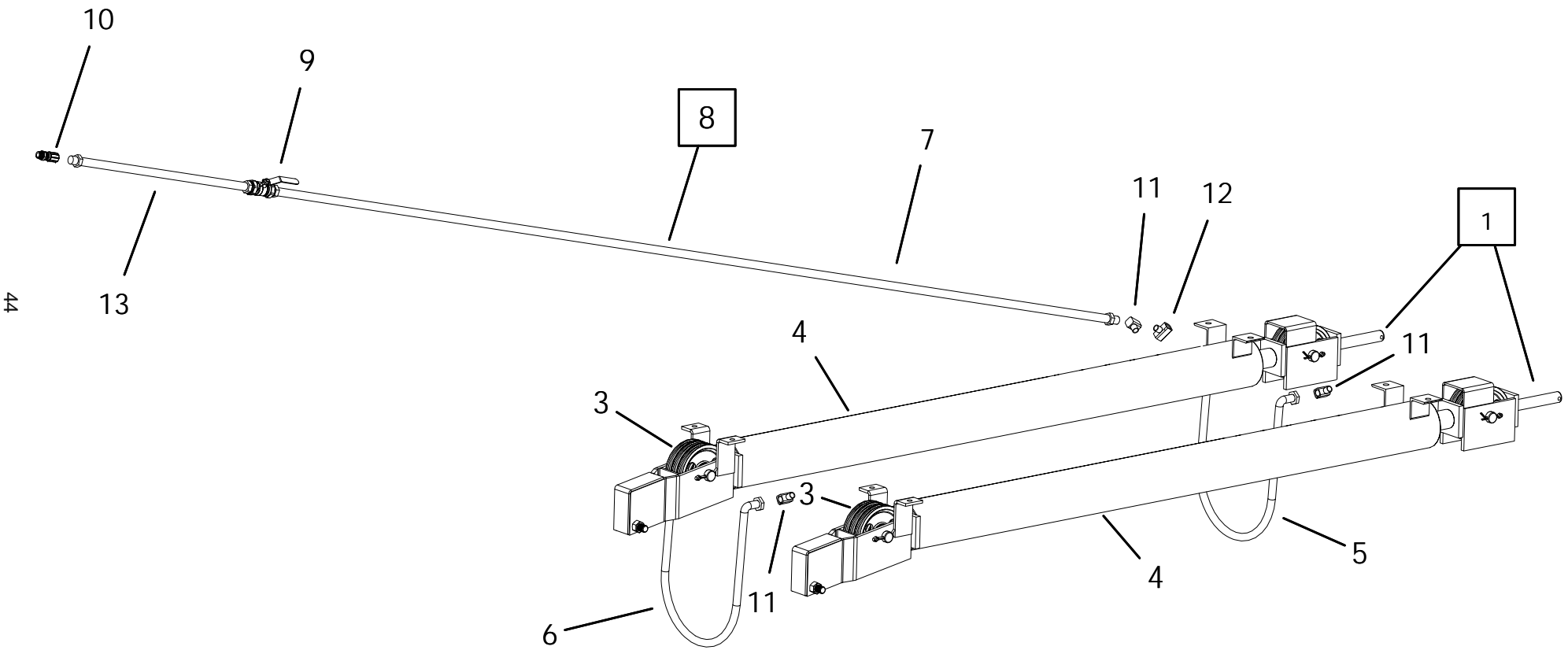
X130-94 HYDRAULIC CYLINDER ASSEMBLY



X130-94 HYDRAULIC CYLINDER ASSEMBLY

ITEM	PART NO.	DESCRIPTION
1	9900198	4" BORE X 40" STROKE HYD. CYLINDER
2	10-28468	HOSE, 3/8" X 2', 2500PSI
3	10-28478	STEEL ELBOW
4	10-28480	STEEL TEE
5	10-20060	X13 HYDRAULIC HOSE ASSEMBLY KIT (INCLUDES SHORT, LONG HOSE AND BALL VALVE)
6	10-18084	BALL VALVE
7	9900047	PIONEER COUPLER

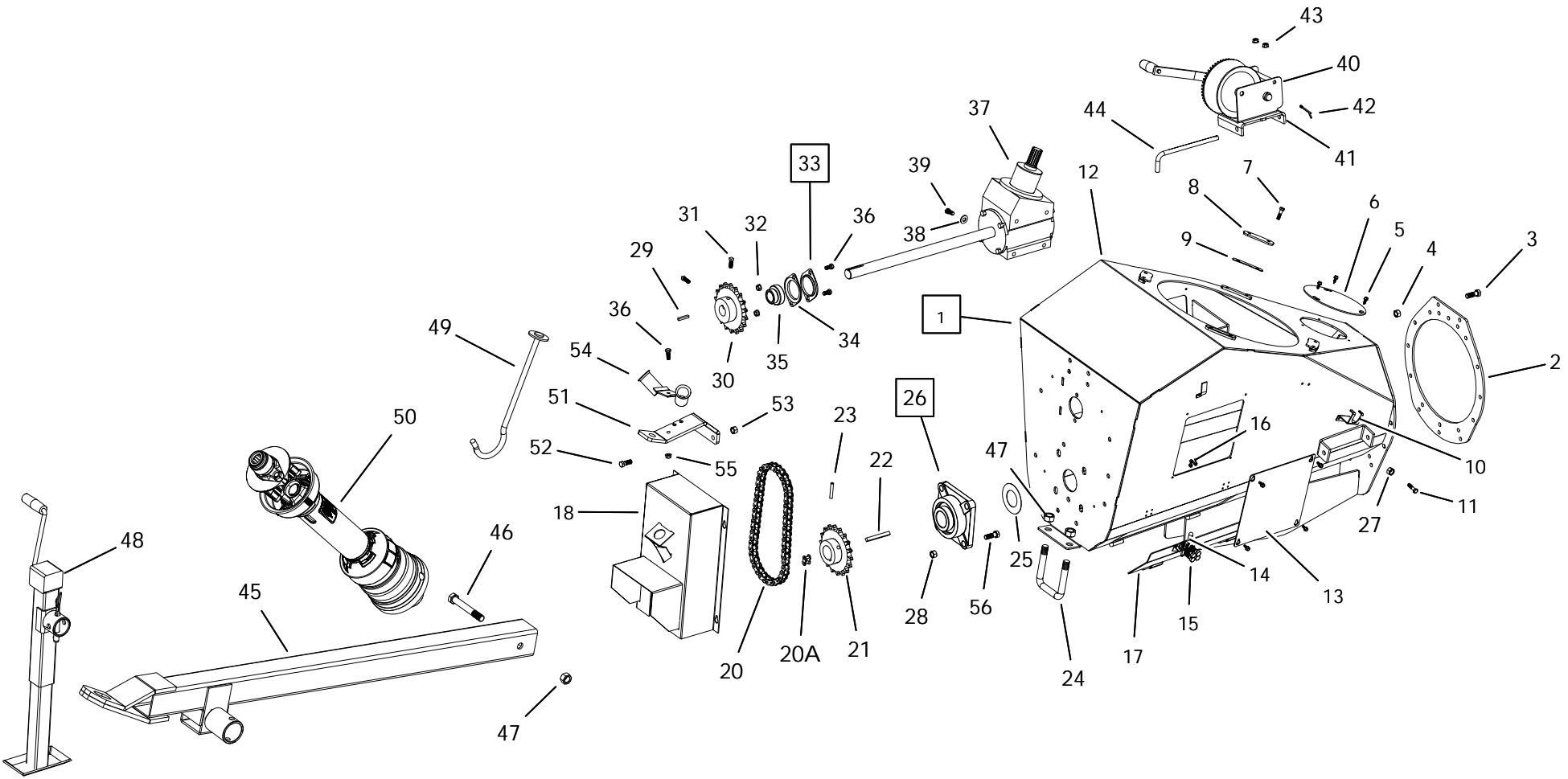
X130-114 HYDRAULIC CYLINDER ASSEMBLY



X130-114 HYDRAULIC CYLINDER ASSEMBLY

ITEM	PART NO.	DESCRIPTION
1	10-17650	Hydraulic cylinder assembly
2	N/A	Pulley 5.5"
3	10-17640	Pulley 6.5"
4	10-17649	Hydraulic cylinder only
5	10-17468	3/8" X 32" Hydraulic hose
6	10-18739	3/8" X 16" Hydraulic hose
7	10-20327	Hydraulic lift hose only, 3/8" X 480"
8	10-20328	MKX114 Cylinder hose assembly
9	10-18084	Ball Valve
10	9900047	Pioneer Coupler
11	10-18087	3/8" Street Elbow, 90°
12	10-18736	3/8" Street Tee
13	10-20057	Hydraulic Hose, 3/8" X 96"

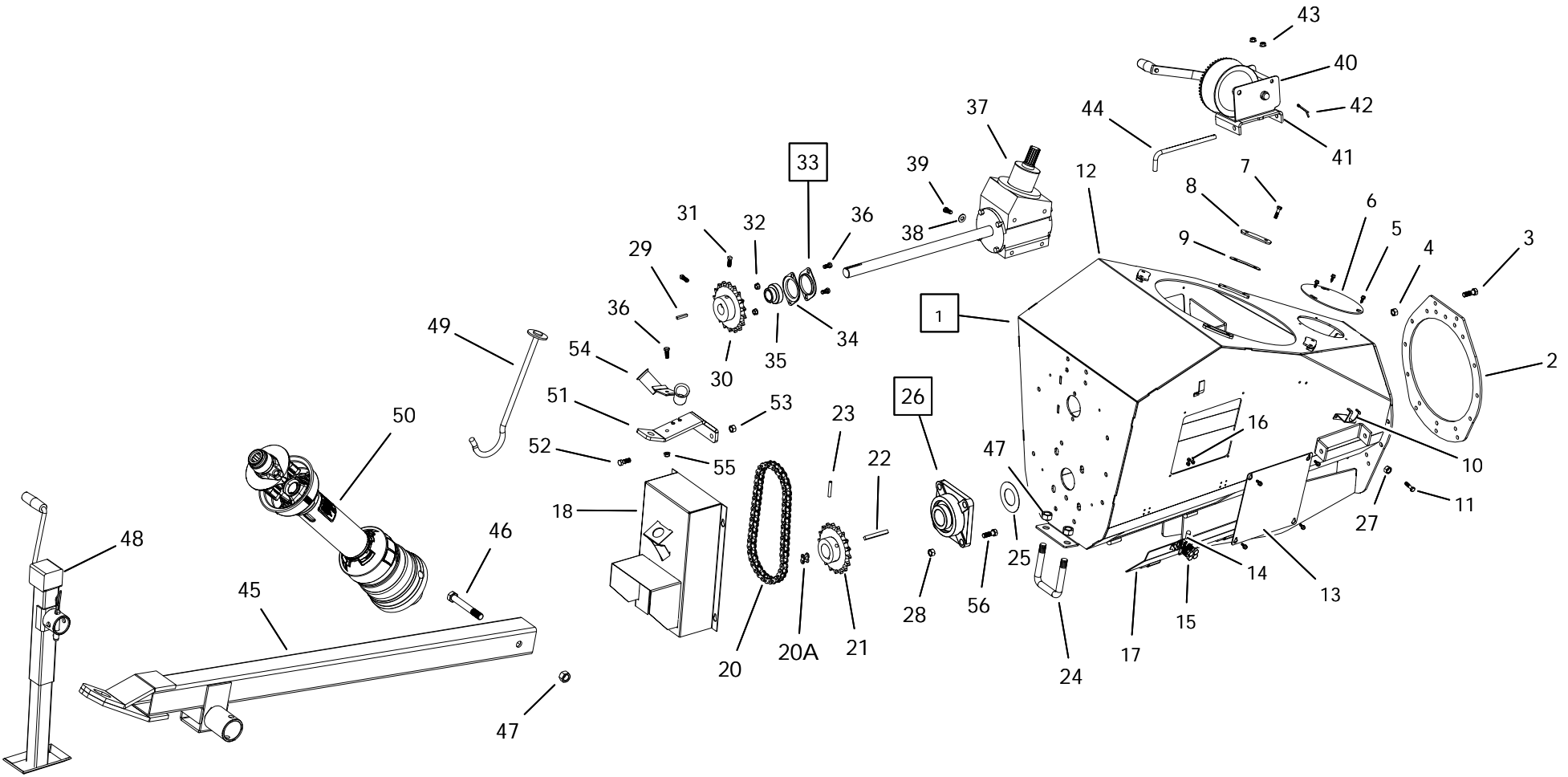
X130 BOOT



X130 BOOT

ITEM	PART NO.	DESCRIPTION
1	10-29991	X13 BOOT ASSEMBLY
2	10-29999	X13 BOOT-TUBE ATTACH PLATE
3	10-18698	BOLT, 7/16" X 1-1/4" GR8
4	10-17593	NYLON LOCKNUT, 7/16" GR5
5	10-19274	#14 X 5/8" SMS
6	10-17374	COVER PLATE
7	10-19540	BOLT, 3/8" X 3/4" GR5
8	10-29166	SPOUT HEAD RETAINERS
9	10-29152	SPOUT HEAD SPACER
10	10-21932	X13 SHUT OFF VALVE HOLDER
11	9900800	BOLT, 1/4" X 3/4" GR5
12	10-29976	X13 BOOT ONLY
13	10-20061	X13 BOOT SERVICE DOOR
14	10-20052	LATCH & CATCH
15	10-20335	#8 X 3/4" BOLT
16	10-20336	#08 LOCKNUT
17	10-29982	X13 BOOT CLEANOUT DOOR
18	10-20062	X13 SPROCKET COVER
19	10-28997	HOOK W LATCH (NOT SHOWN)
20A	10-19323	#80 CHAIN CONNECTOR
20	10-19781	80B37 ROLLER CHAIN
21	10-18525	SPROCKET 80B18 X 1-3/4"
22	10-18541	SQAURE KEY, 3/8" X 3-3/8"
23	10-18546	3/8" X 2-1/2" ROLL PIN
24	10-28487	3/4" X 3-1/2" X 5" SQ. U-BOLT
25	10-20084	2" RIM WASHER
26	10-20015	2" BEARING, W/4 BOLT FLANGE
27	10-28449	LOCKNUT, 1/4"
28	10-19600	LOCKNUT, 5/8"
29	10-19606	SQUARE KEY, 1/4" X 1-1/2"
30	10-19779	80B18 X 1-1/4 SPROCKET
31	10-29119	SETSCREW, 3/8" X 1" GR8 SQ END
32	10-19596	3/8" SERRATED FLANGE NUT
33	10-19322	1-1/4 2 HOLE FLANGE BEARING
34	10-18695	62MST ZP FLANGE PLATED FINISH
35	10-18853	1-1/4" BEARING ONLY
36	10-19540	3/8" X 3/4" BOLT
37	10-29085	LOWER GEARBOX
38	10-19605	1/2" LOCK WASHER
39	10-19588	1/2" X 1-1/4", BOLT
40	10-19152	WINCH
41	10-18536	WINCH MOUNT
42	10-19463	HAIR PIN
43	10-19596	3/8" SERRATED FLANGE NUT
44	10-18074	MOUNT PIN
45	10-29983	X13 TOW BAR
46	10-29997	BOLT, 3/4" X 5-1/2" GR8
47	10-19601	NYLON LOCKNUT, 3/4" GR2
48	10-28930	JACK. 5000 LB SQUARE

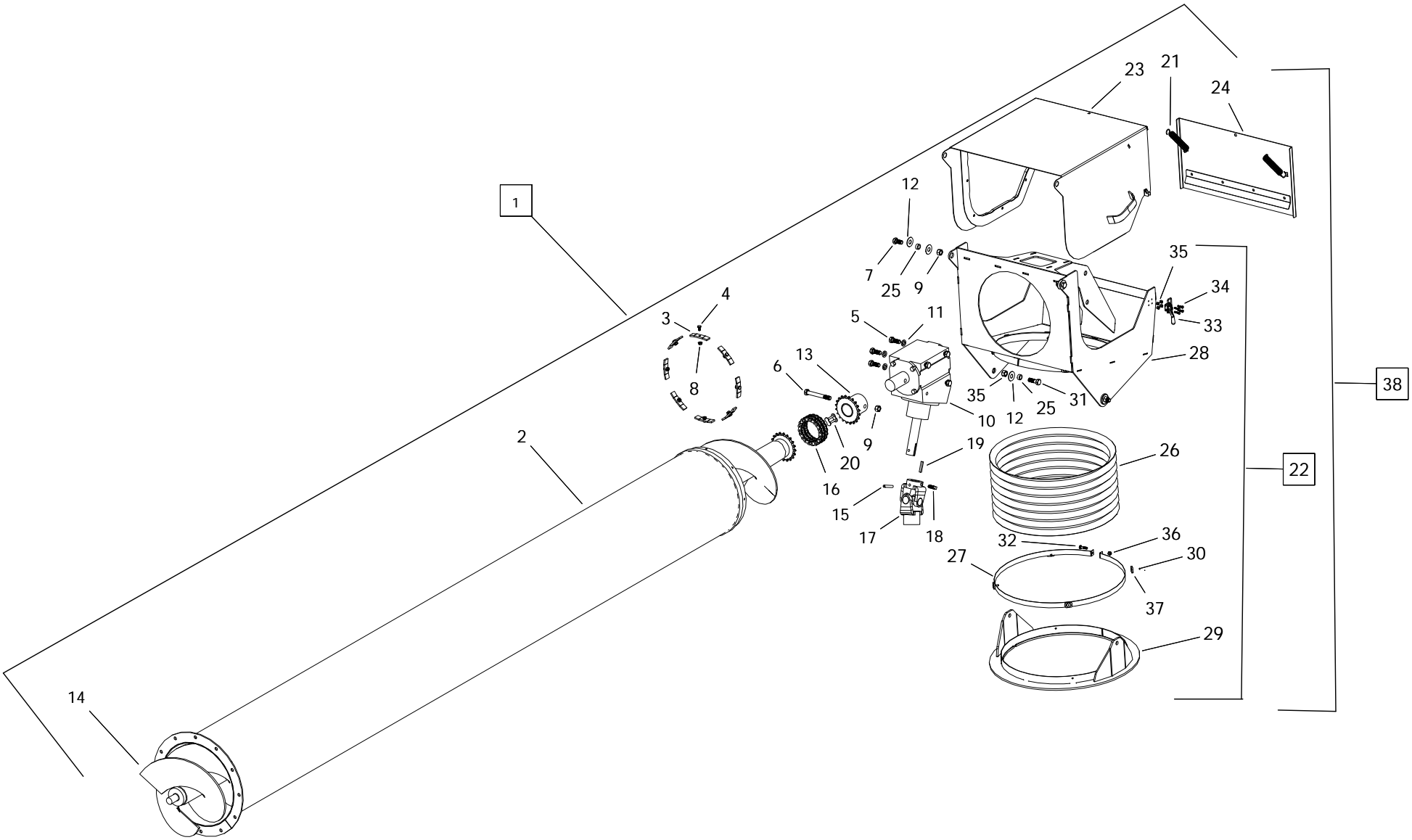
X130 BOOT



X130 BOOT

ITEM	PART NO.	DESCRIPTION
49	10-18537	SADDLE TRANSPORT
50	10-29140	CV DRIVELINE
51	10-20042	X13 PTO BRACKET
52	10-19589	BOLT, 1/2" X 1-1/2" GR8
53	10-19599	LOCKNUT, 1/2"
54	10-17467	DOUBLE HOSE HOLDER (X1384/94 ONLY)
55	10-17402	3/8" LOCKNUT
56	10-19991	BOLT, 5/8" X 2" GR8
57	10-19147	1/4" CABLE CLAMP (NOT SHOWN)

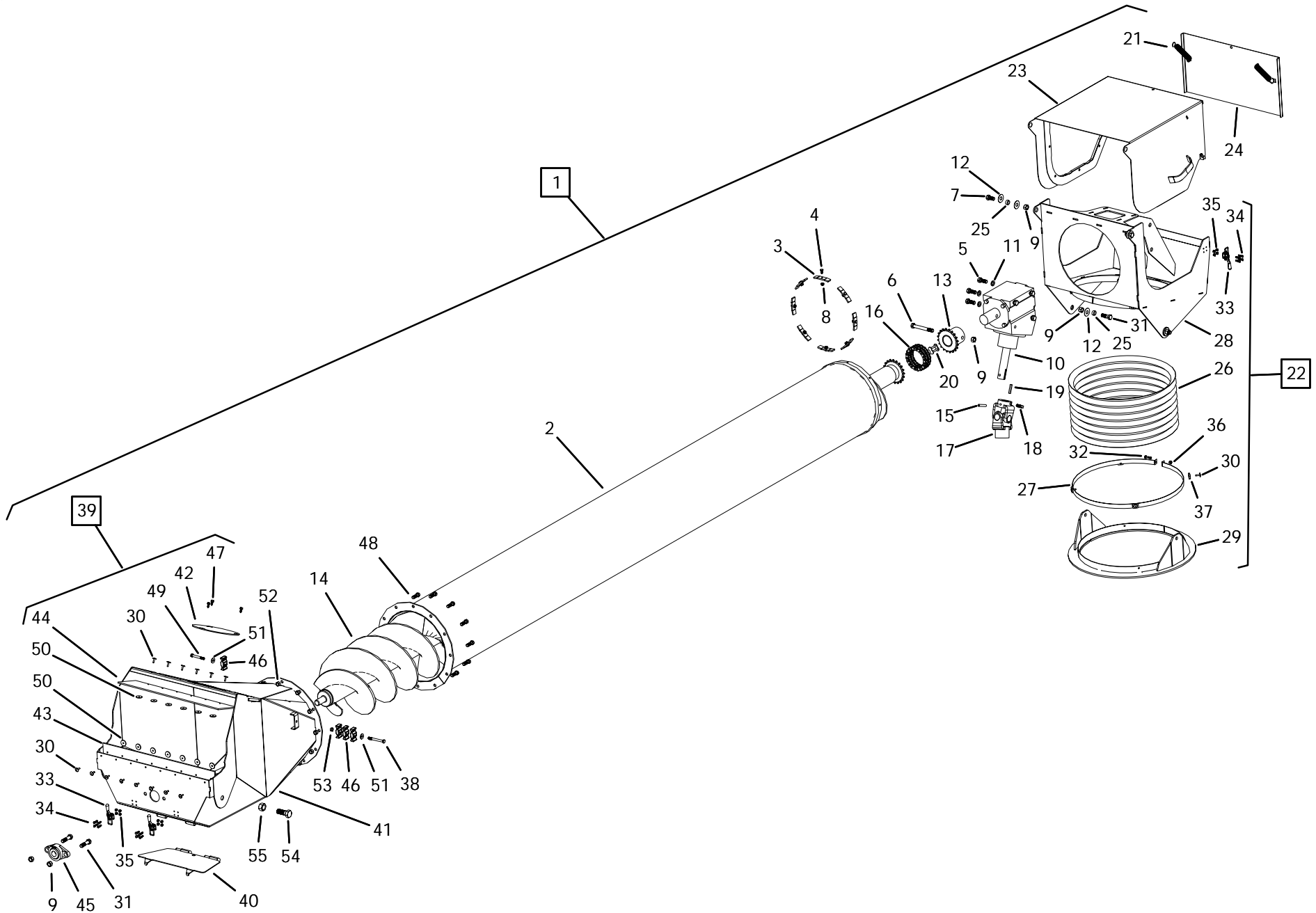
X130 SWING TUBE



X130 SWING TUBE

ITEM	PART NO.	DESCRIPTION
1	10-21299	MKX/X13 GEAR SWING TUBE BDL (2014)
2	10-18931	MK/SA 130 SWING TUBE WELD'T
3	10-18877	STOP PLATE - HOPPER SPOUT
4	10-19537	BOLT, 1/4" X 1/2" HEX WSHR HEAD GR 5 PLTD
5	10-19588	BOLT, 1/2" X 1-1/4" NC GR 5 PLTD
6	10-18947	BOLT, 1/2" X 4" NC GR 8 PLTD
7	10-19231	BOLT, 1/2" X 1" NC GR 5 PLTD
8	10-19594	FLANGE NUT, 1/4" PLTD
9	10-19599	LOCKNUT, 1/2" PLTD
10	10-27560	MK130 PLUS UPPER GEARBOX
11	10-19605	LOCKWASHER, 1/2" PLTD
12	10-17401	1/2" FLAT WASHER PLTD
13	10-29992	X13 GEARBOX CONNECTOR WELDMENT
14	10-29993	X13 SWING FLIGHT WELDMENT
15	10-18079	ROLL PIN, 5/16" X 2"
16	10-29895	#50 X 20P DOUBLE CHAIN
17	10-29139	SPLINED U-JOINT
18	10-29119	SETSCREW, 3/8" X 1" GR8 SQ END
19	10-19606	1/4" SQUARE X 1.5" KEY
20	10-20048	#50 X 20P DOUBLE CHAIN CONNECTOR
21	10-18728	EXTENSION SPRING
22	10-21004	X13 SPOUT HEAD ASSEMBLY (2014)
23	10-21022	X13 SPOUT HEAD LID WELDMENT
24	10-21002	X13 SPOUT HEAD DOOR WELD'T
25	10-21021	X13 SPOUT HEAD BUSHING
26	10-29176	18" ID X 15" LONG CLEAR FLEX HOSE
27	10-20063	HOSE STRAP, MKX/X13 SPOUT HEAD
28	10-21003	MKX/X13 SPOUT HEAD ONLY (2014)
29	10-21097	SPOUTHEAD BASE, MKX/X13 SPOUT HEAD
30	10-18185	ASF0621 RIVET (LARGE FLANGE)
31	10-19589	BOLT, 1/2" X 1-1/2" NC GR 8 PLTD
32	10-19988	BOLT, 1/4" X 1" NC GR 2 PLTD
33	10-20052	MA6512230 LATCH AND CATCH
34	10-20335	#8 X 3/4" BOLT PLTD
35	10-20336	#8 LOCKNUT PLTD
36	10-28449	1/4" NC NYLON LOCKNUT PLTD
37	10-29252	DUCTING SECURE TAB, MK FLEX
38	10-21394	MKX130 SPOUTHEAD W/DOOR AND LID

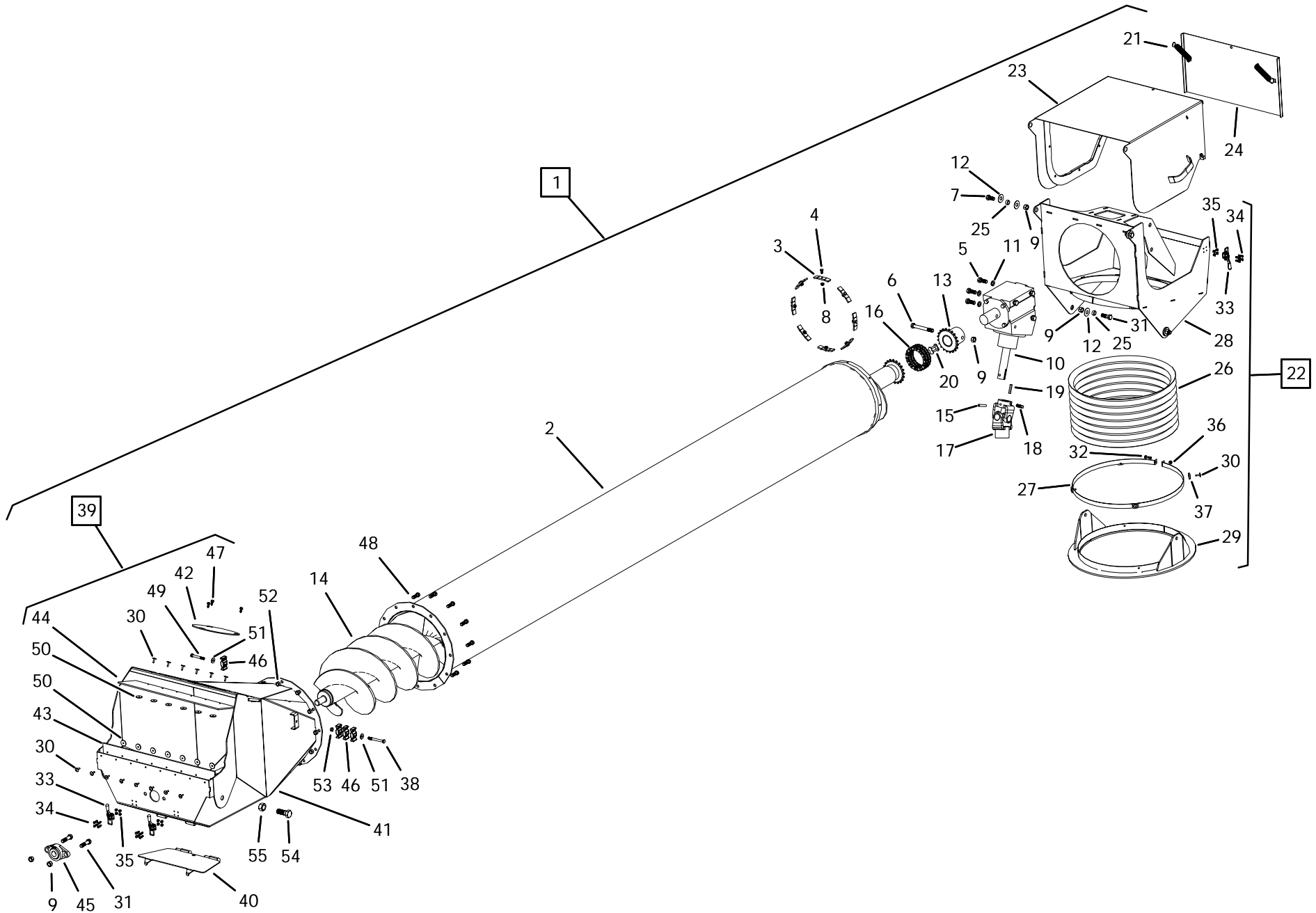
GULP 2 SWING TUBE



GULP 2 SWING TUBE

ITEM	PART NO.	DESCRIPTION
1	10-22250	MKX/X13 GULP SWING TUBE BDL
2	10-18931	SWING TUBE ONLY
3	10-18877	SPOUT ATTACH PLATE
4	10-19537	BOLT, 1/4" X 1/2" HEX WSHR HEAD GR 5 PLTD
5	10-19588	BOLT, 1/2" X 1-1/4" NC GR 5 PLTD
6	10-18947	BOLT, 1/2" X 4" NC GR 8 PLTD
7	10-19231	BOLT, 1/2" X 1" NC GR 5 PLTD
8	10-19594	FLANGE NUT, 1/4" PLTD
9	10-19599	1/2" NC NYLON LOCKNUT GR 2 PLTD
10	10-27560	GEARBOX
11	10-19605	LOCKWASHER, 1/2" PLTD
12	10-17401	1/2" FLAT WASHER PLTD
13	10-29992	GEARBOX CONNECTOR
14	10-22251	MKX/X13 GULP SWING FLIGHT
15	10-18079	ROLL PIN, 5/16" X 2"
16	10-29895	#50 X 19P DOUBLE CHAIN
17	10-29139	SPLINED U-JOINT
18	10-29119	SETSCREW, 3/8" X 1" GR8 SQ END
19	10-19606	1/4" SQUARE X 1.5" KEY
20	10-20048	#50 X 20P DOUBLE CHAIN CONNECTOR
21	10-18728	EXTENSION SPRING
22	10-21004	MKX/X13 SPOUT HEAD ASSY (2014)
23	10-21022	MKX/X13 SPOUT HEAD LID (2014)
24	10-21002	MKX/X13 SPOUT HEAD DOOR (2014)
25	10-21021	X13 SPOUT HEAD BUSHING
26	10-29176	18" ID X 15" LONG CLEAR FLEX HOSE
27	10-20063	HOSE STRAP, MKX/X13 SPOUT HEAD
28	10-21003	MKX/X13 SPOUT HEAD ONLY (2014)
29	10-21097	SPOUTHEAD BASE, MKX/X13
30	10-18185	LARGE FLANGE RIVET
31	10-19589	BOLT, 1/2" X 1-1/2" NC GR 8 PLTD
32	10-19988	BOLT, 1/4" X 1" NC GR 2 PLTD
33	10-20052	LATCH AND CATCH
34	10-20335	#8 X 3/4" BOLT PLTD
35	10-20336	#8 LOCKNUT PLTD
36	10-28449	1/4" NC NYLON LOCKNUT PLTD
37	10-29252	DUCTING SECURE TAB
38	2300022	5/16" X 3" UNC BOLT GR 5 PLTD
39	10-21446	AUGER TRANS ASSEMBLY, GULP
40	10-21447	AUGER TRANS ACCESS LID, GULP
41	10-21448	AUGER TRANSITION ONLY, GULP
42	10-17374	ACCESS COVER
43	10-21449	AUGER TRANSITION SQUEEGE, GULP
44	10-21450	AUGER TRANSITION RUBBER SEAL, GULP
45	0300013	BEARING ASSEMBLY
46	10-28732	LINE BLOCK
47	10-19274	SELF TAPPING SCREW
48	10-19542	7/16" X 1" NC BOLT GR 5 PLTD
49	10-17631	5/16" X 2-1/2" NC BOLT GR 2 PLTD

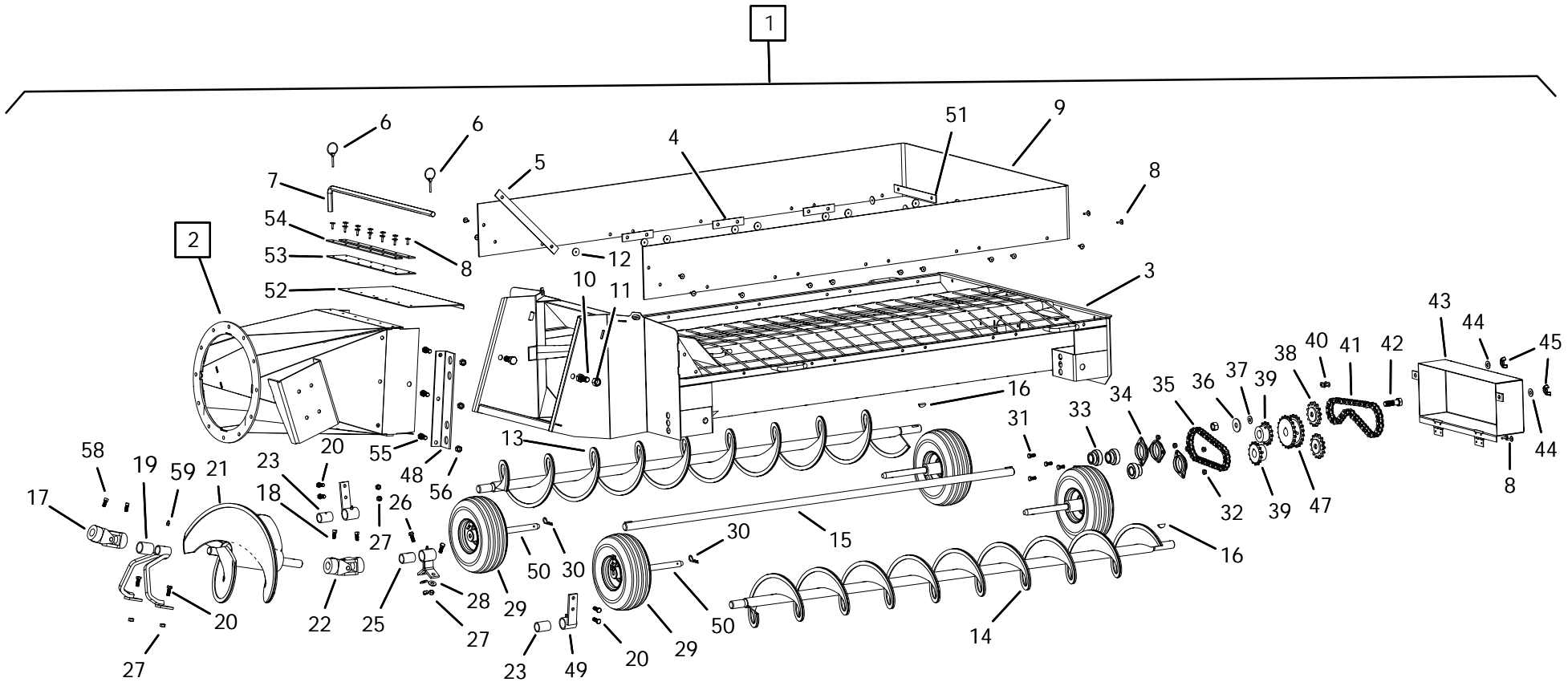
GULP 2 SWING TUBE



GULP 2 SWING TUBE

ITEM	PART NO.	DESCRIPTION
50	10-18186	3/16" X 1" RIVET WASHER
51	10-27336	5/16" FLAT WASHER PLTD
52	10-17593	7/16" NC NYLON LOCKNUT GR 5 YLW PLT
53	10-19980	5/16" NC NYLON LOCKNUT PLTD
54	10-19592	3/4" X 2" NC BOLT GR 8 PLTD
55	10-19601	3/4" NC NYLON LOCKNUT PLTD

X130 HOPPER

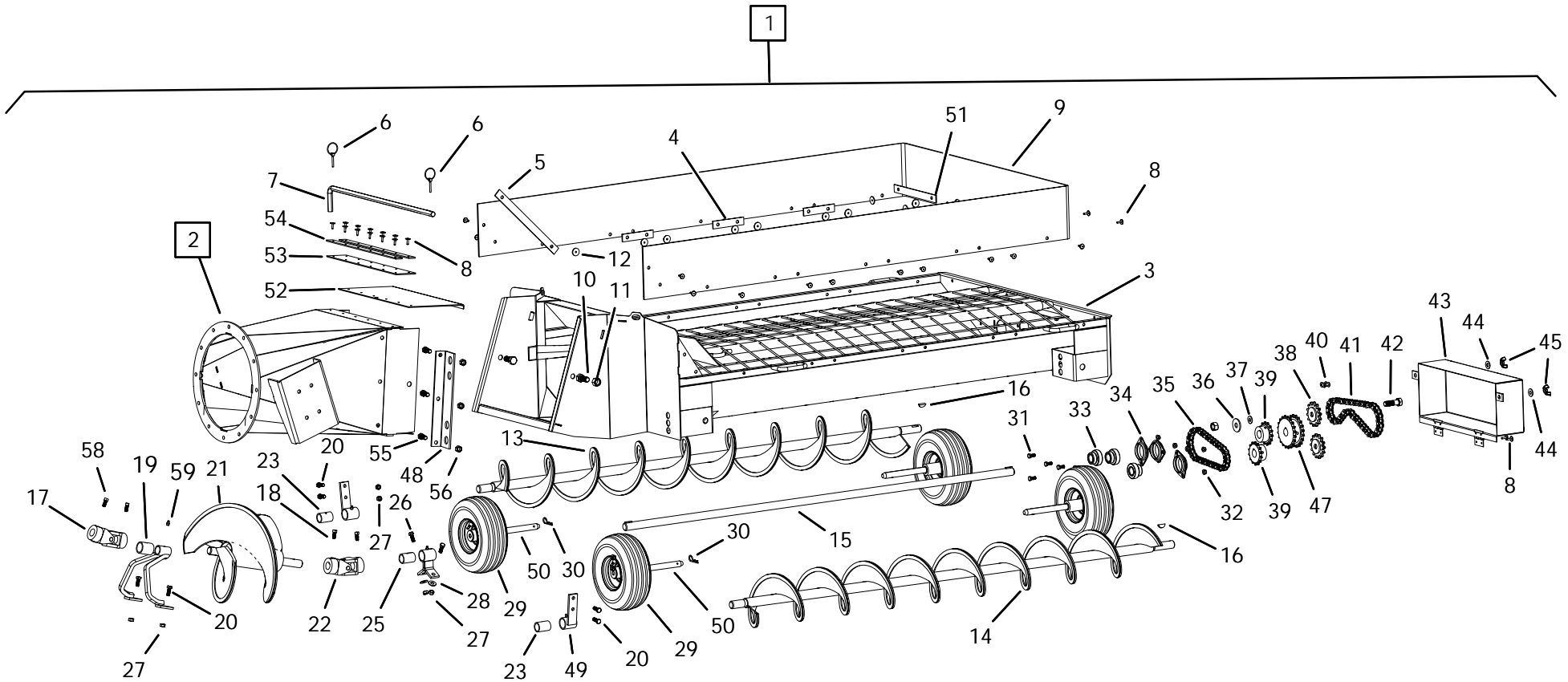


56

X130 HOPPER

ITEM	PART NO.	DESCRIPTION
1	10-29984	LP HOPPER ASSEMBLY
2	10-29977	X13 LP TRANSITION
3	10-29978	X13 LP HOPPER ONLY
4	10-18878	ATTACH STRAP, 4-3/4"
5	10-18054	ATTACH STRAP, 13"
6	10-29998	LYNCH PIN
7	10-20461	X13 LP DOOR PIN
8	10-18185	3/16" POP RIVET
9	10-29896	X13 LP RUBBER BELTING
10	10-19590	BOLT, 5/8" X 1-1/2" GR8
11	10-19600	LOCKNUT, 5/8"
12	10-18186	RIVET WASHER, 3/16" X 1"
13	10-29963	LP HOPPER FLIGHT LH
14	10-17345	LP HOPPER FLIGHT RH
15	10-17347	13 HOPPER DRIVESHAFT
16	10-19224	1/4" X 1" WOODRUFF KEY
17	10-29175	HIGH ANGLE LP U-JOINT
18	10-29117	SETSCREW, 3/8" X 5/8" GR8 SQ END
19	10-29979	X13 NECK FLIGHT SUPPORT
21	10-29965	X13 NECK FLIGHT
22	10-29175	U-JOINT BLK
23	10-17352	TOP MOUNT BUSHING SUPPORT
24	10-18054	13 BELT ATTACH
25	10-17352	BUSHING SUPT, LP HOPR SHAFT
26	10-19540	BOLT, 3/8" x 3/4" GR5 PLTD
27	10-17402	NYLON LOCKNUT, 3/8"
28	10-19604	3/8" LOCK WASHER
29	10-17522	LP Hopper Tires
30	10-19463	Hairpin, 7/16" X 3/4", 1/8" Dia.
31	10-19538	BOLT, 5/16" x 3/4" GR2
32	10-19595	WHIZNUT, 5/16"
33	10-18817	1" BEARING w/ COLLAR
34	10-18694	1" FLANGETTE
35	10-17369	X13 LP CHAIN
36	10-19989	5/8" WASHER FLAT
37	10-18096	5/8" RIM WASHER
38	10-29894	50C15 X 5/8 IDLER SPROCKET
39	10-19131	SPROCKET, 50B14 x 1", SINGLE
40	10-19134	#50 CONNECTOR LINK
41	10-20516	#50-1R X 47P ROLLER CHAIN
42	10-27484	BOLT, 5/8" X 2-1/4" GR8
43	10-29981	X13 LP CHAIN COVER
44	10-19604	3/8" LOCK WASHER
45	10-20082	3/8" WINGNUT
46	10-17389	#50 OFFSET LINK
47	10-17349	SPROCKET, 50A20 x 1", DOUBLE
48	10-20051	X13 CABLE ATTACH BRACKET
49	10-17583	BUSHING SUPPORT
50	10-17394	MK LP FIXED WHEEL AXLE

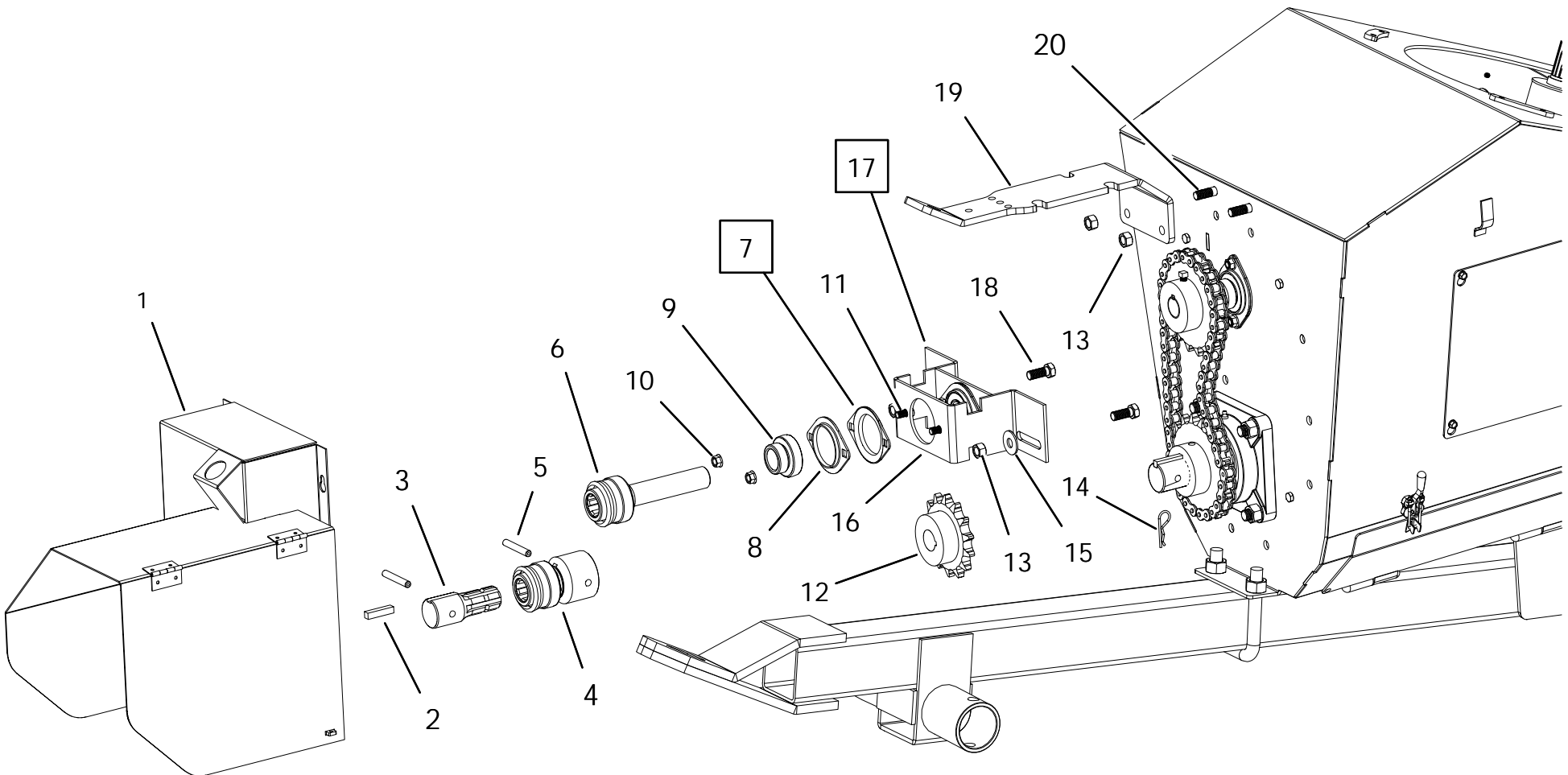
X130 HOPPER



X13 HOPPER

ITEM	PART NO.	DESCRIPTION
51	10-17358	10-1/2" BELT ATTACH
52	10-21100	X13 LPTRANSITION ACCESS DOOR
53	10-21101	MKX/X13 TRANSITION BELT
54	10-21102	MKX/X13 TRANSITION BELT STRAP
55	10-18698	7/16" X 1-1/4" GR8 Bolt
56	10-17593	Locknut, 7/16"
57	10-19225	3/8" X 3/8" SET SCREW
58	10-19222	1/4" #28 GREASE ZERK

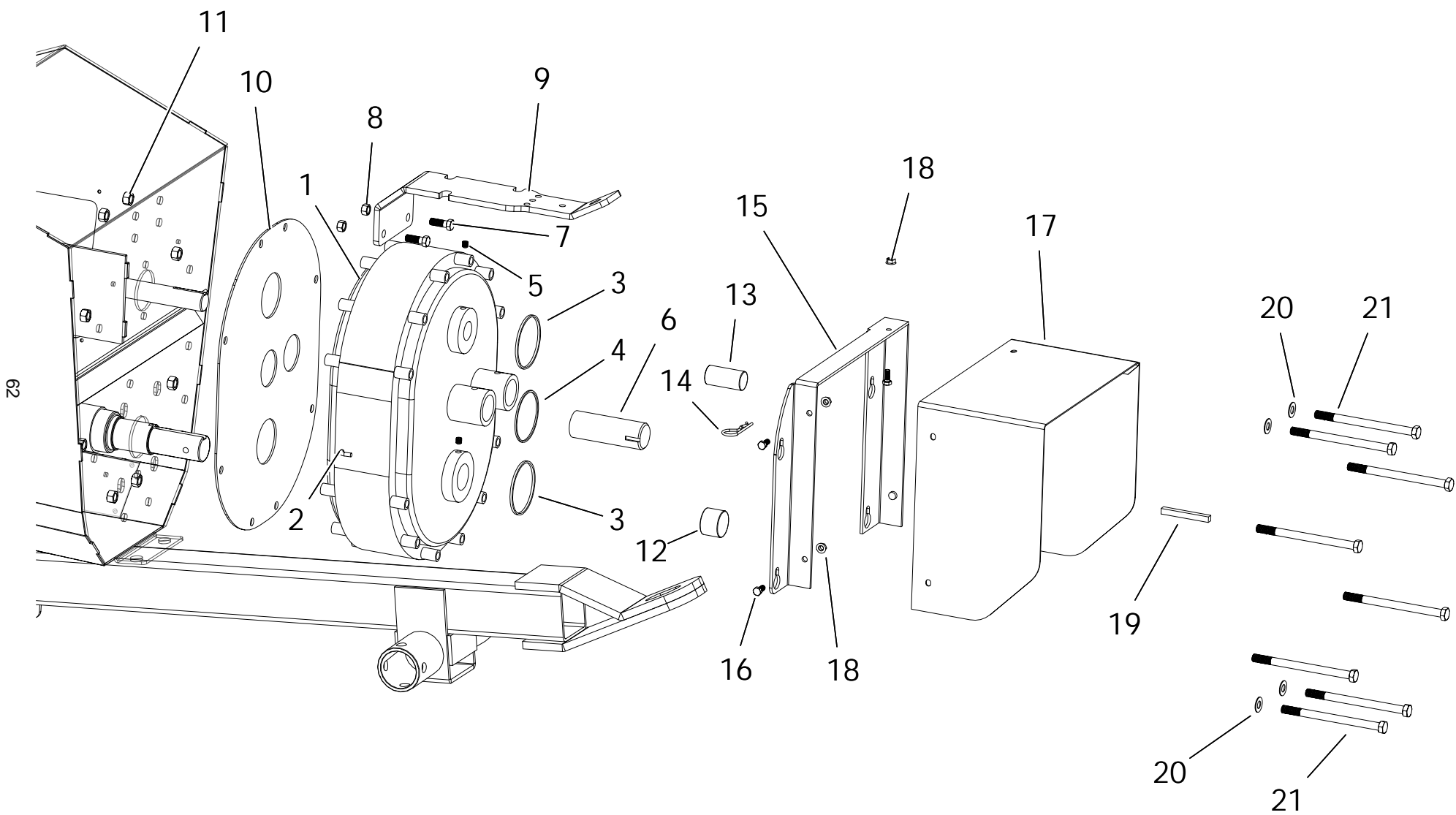
A263 REVERSER



A263 REVERSER

ITEM	PART NO.	DESCRIPTION
1	10-20039	X13 REVERSER SHIELD
2	10-17066	SQAURE KEY 3/8" X 1-3/4"
3	10-17023	SPLINE SHAFT (PROD #11980)
4	10-17052	MK130 REV LOWER COUPLER
5	10-18546	3/8" X 2-1/2" COILED ROLL PIN
6	10-17054	REVERSER COUPLER
7	10-19322	2 HOLE BEARING ASSEMBLY
8	10-18695	2 HOLE BEARING FLANGE
9	10-18853	BEARING INSRTS
10	10-19596	3/8" FLANGE NUT
11	10-29246	3/8" X 1" BOLT GR8 SHEAR
12	10-17068	80B14 X 1-1/4" SPROCKET, REVERSER
13	10-19599	1/2" NYLON LOCKNUT GR 2
14	10-19463	210 HITCH PIN
15	10-17401	1/2" FLAT WASHER
16	10-20088	X13 REVERSER BASE BRACKET
17	10-20089	X13 REVERSER BASE ASSEMBLY (INCLUDES ITEM NO. 6, 9, 12, 16)
18	10-19588	1/2" X 1-1/4" BOLT GR 5
19	10-20043	X13 PTO BAR
20	10-19589	1/2" X 1-1/2" BOLT GR8

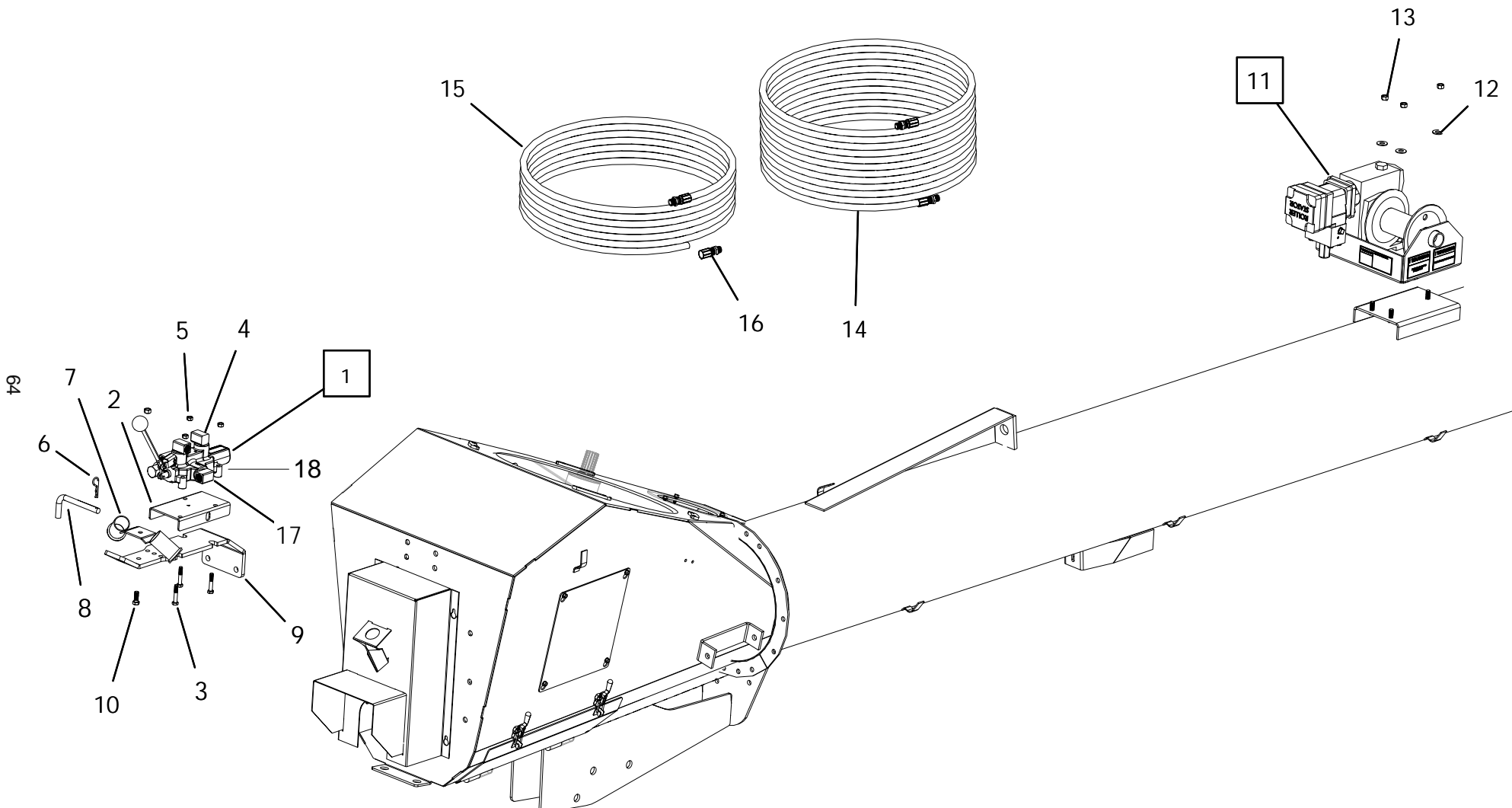
A262 SPEED REDUCER



A262 SPEED REDUCER

ITEM	PART NO.	DESCRIPTION
1	10-27710	M1000-3 SPEED REDUCER
2A	10-20353	VENT PLUG ONLY
2	10-28603	BREATHER TUBE AND VENT PLUG
3	10-28527	OIL SEAL (95 X 75 X 10)
4	10-28526	OIL SEAL (80 X 60 X 12)
5	10-19608	5/16" X 3/8" SET SCREW
6	10-28305	REPLACEMENT SPLINE SHAFT
7	10-18698	7/16" X 1-1/4" BOLT GR8
8	10-19598	7/16" NYLON LOCKNUT GR2
9	10-20043	X 13 PTO PTO BAR
10	10-29996	X 13 REDUCER SEALING PLATE
11	10-19599	1/2" NYLON LOCKNUT GR2
12	10-27722	MKP130 SR BTM SHAFT, 1-3/4"
13	10-27721	MKP130 SR TOP SHAFT, 1-1/4"
14	10-19463	210 HITCH PIN
15	10-20040	X13 REDUCER SHIELD BRACKET
16	10-19538	5/16" X 3/4" BOLT GR 2
17	10-20041	X13 REDUCER PTO SHIELD
18	10-19595	5/16" SERRATED FLANGE NUT
19	10-17066	3/8" X 1-3/4" SQ KEY
20	10-17401	1/2" FLAT WASHER
21	10-27719	1/2" X 7" BOLT GR5
22	10-29272	LOCKING SYSTEM KIT

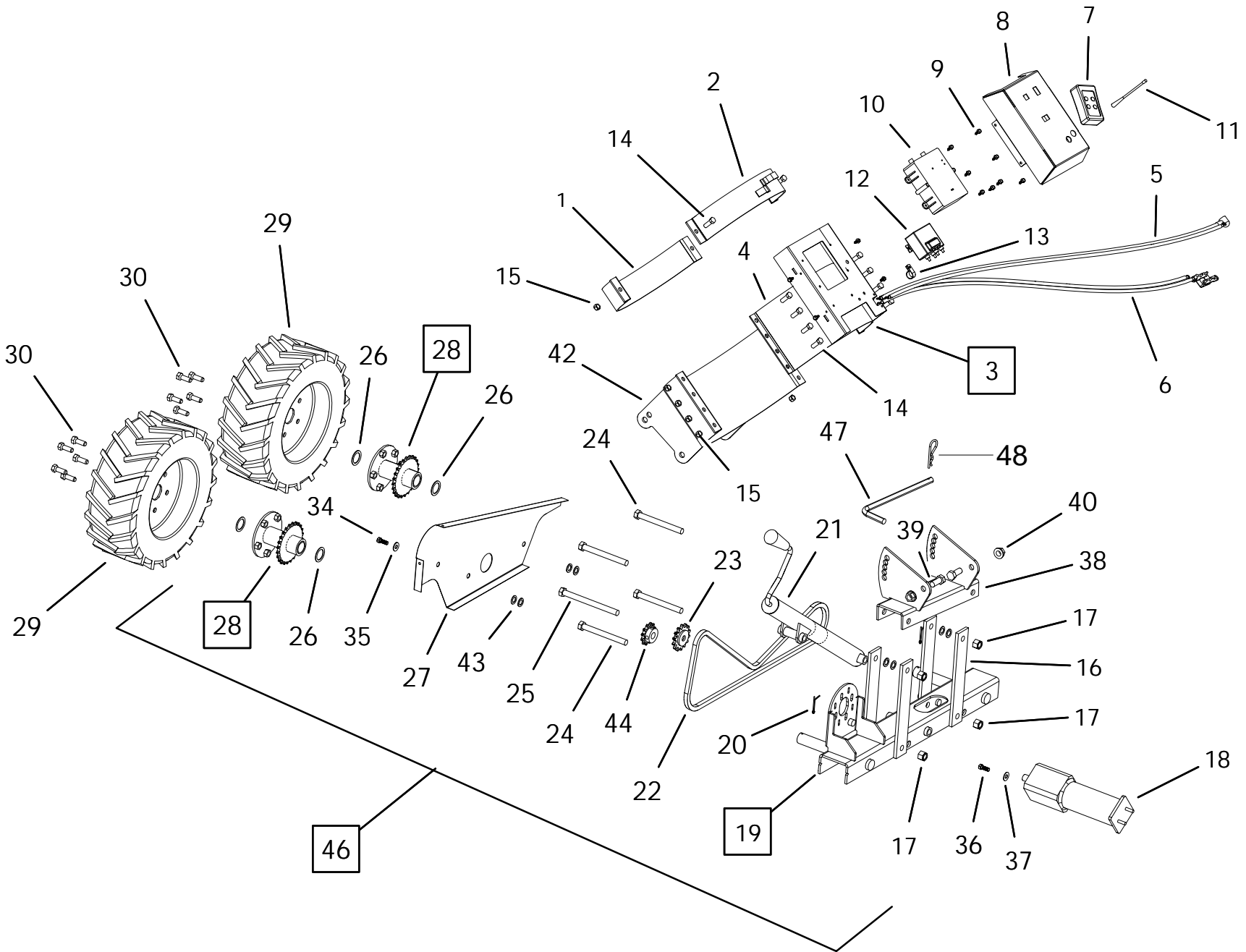
A266 HYDRAULIC WINCH



A266 HYDRAULIC WINCH

ITEM	PART NO.	DESCRIPTION
1	10-20132	X13 HYD VALVE ASSEMBLY
2	10-20044	X13 VALVE MOUNT PLATE
3	10-17712	5/16" X 1-3/4" BOLT GR 5
4	10-28478	STEEL ELBOW 90, 8MNPT X 8FNPSM
5	10-19980	5/16" NYLON LOCKNUT
6	10-17383	3610 GRIP CLIP
7	10-17467	X13 HOSE HOLDER (DOUBLE)
8	10-19648	SADDLE PIN
9	10-20043	X13 PTO BAR
10	10-18955	BOLT, 3/8" x 1" GR5
11	10-17634	HYDRAULIC WINCH ASSEMBLY, RED
12	10-17392	3/8" FLAT WASHER
13	10-17402	3/8" NYLON LOCKNUT
14	10-29363	1/2" X 150" HYDRAULIC HOSE
15	10-29371	1/2" X 80" HYDRAULIC HOSE
16	9900047	PIONEER COUPLER
17	10-29087	STEEL ELBOW 90, 12MNPT X 8FNPSM
18	10-17675	HYDRAULIC VALVE ONLY

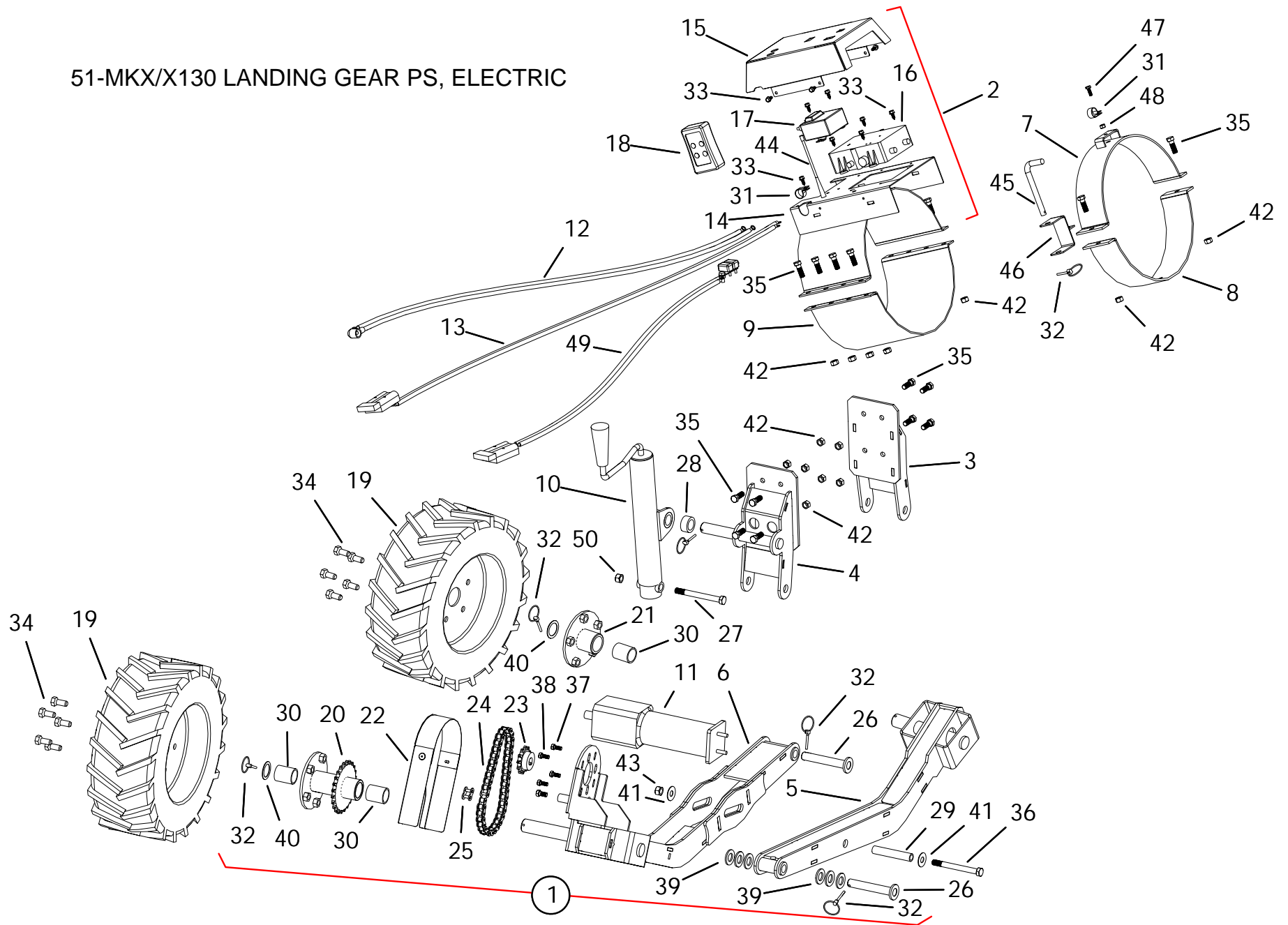
A264 ELECTRIC POWER SWING-13"



A264 ELECTRIC POWER SWING-13”

ITEM	PART NO.	DESCRIPTION
1	10-18987	W130 HALF CLAMP
2	10-17697	HOSE CLIP BRACKET
3	10-20158	ASSY, 13" P/S TOP CLAMP RECEIVER
4	10-20177	13" TOP CLAMP W.A RC POWERSWING
5	10-20168	WIRE HARNESS - CONTACTOR TO MOTOR
6	10-20169	WIRE HARNESS - CONTACTOR TO BATTERY
7	10-20134	92102TX TRANSMITTER
8	10-20178	COVER, PS RECEIVER ARMOR - POWERSWING
9	10-19274	#14 X 5/8" SHEET METAL SCREW
10	10-20135	RECEIVER, REMOTE CONTROL-LOADAR
11	10-20524	ANTENNA
12	10-20136	CONTACTOR, 80 AMP
13	10-20268	CLAMP, 5/8" X 12" INSULATED (QUICK504404-010)
14	10-18698	7/16" X 1-1/4" BOLT GR 8
15	10-19598	7/16" NYLON LOCKNUT GR 2
16	10-20174	PLATE, PARALLEL BAR - POWERSWING
17	10-19600	5/8" NYLON LOCKNUT
18	10-20138	12V. DC MOTOR
19	10-20173	AXLE ASSY, POWER SWING
20	10-17757	3/16" X 1-3/4" COTTER PIN
21	10-20179	JACK, POWERSWING
22	10-20515	#50 ROLLER CHAIN
23	10-20210	SPROCKET IDLER
24	10-20163	5/8" X 6" BOLT GR5
25	10-20164	5/8" X 7-1/2" BOLT GR8
26	10-17651	1-1/4" RIM WASHER PLTD
27	10-20180	GUARD, POWERSWING
28	10-20166	ASSY HUB, W/ BUSHING
29	10-20137	16 X 6.5 5 BOLT WHEEL ASSM
30	10-19273	1/2" X 1-3/4" NF #5 WHEEL BOLT
32	10-20268	5/8" X 1/2" INSULATED CAP (NOT SHOWN)
33A	10-19134	#50 CONNECTOR LINK (NOT SHOWN)
33	10-20135	9200RX RECEIVER (NOT SHOWN)
34	10-19540	3/8" X 3/4" BOLT GR5
35	10-17392	3/8" FLAT WASHER
36	10-20445	1/4" X 1" BOLT GR8
37	10-27336	5/16" FLAT WASHER
38	10-20892	PIVOT - POWERSWING
39	10-19590	5/8" X 1-1/2" BOLT GR 8
40	10-27588	5/8" SERRATED FLANGE NUT
41	10-20136	9824 CONTACTOR (NOT SHOWN)
42	10-20175	13" BOTTOM CLAMP - POWER SWING
43	10-18096	5/8" RIM WASHER PLTD
44	10-29894	50C15 X 5/8" IDLER SPROCKET
46	10-20269	ELECTRIC PS AXLE AS SHIPPED
47	10-20895	POWERSWING ADJUST PIN
48	10-19463	HAIRPIN 7/16" X 3/4", 1/8" DIA.
49	10-19542	7/16" X 1" BOLT GR5

51-MKX/X130 LANDING GEAR PS, ELECTRIC

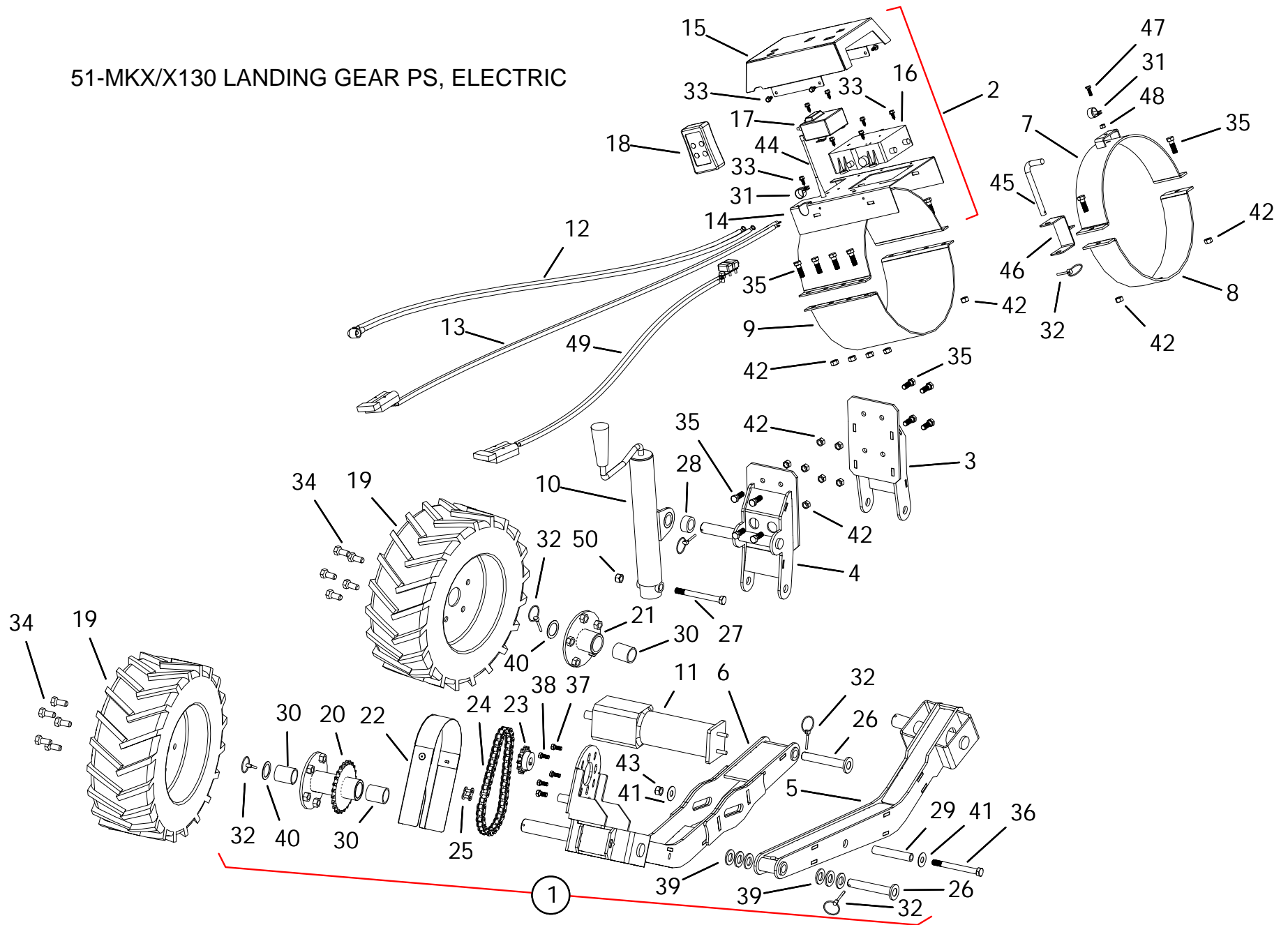


A334 ELECTRIC LANDING GEAR POWER SWING - 13"

A334 ELECTRIC LANDING GEAR POWER SWING - 13"

ITEM	PART NO.	DESCRIPTION
1	10-22563	LANDING GEAR PS ELEC ASSEMBLY
2	10-20158	ASSY, 13" P/S TOP CLAMP RECEIVER
3	10-22554	ATTACH, RH, MKX/X130 LGPS
4	10-22553	MANUAL JACK ATTACH, MKX/X130 LGPS
5	10-22562	SHORT X-ARM, RH, LGPS
6	10-22564	SHORT X-ARM, LH, LGPS
7	10-21537	GULP, HOSE CLAMP
8	10-18987	13" HALF CLAMP
9	10-11232	13" HITCH RING
10	10-22555	JACK, MANUAL, LANDING GEAR PS
11	10-20138	MOTOR, 12V DC
12	10-20168	WIRE HARNESS - CONTACTOR TO MOTOR
13	10-22582	WIRE HARNESS, BATTERY TO QUICK CONNECT
14	10-20177	13" TOP CLAMP W.A. RC - POWERSWING
15	10-20178	COVER, PS RECEIVER ARMOR - POWERSWING
16	10-20135	RECEIVER
17	10-20136	CONTACTOR
18	10-20134	TRANSMITTER
19	10-20137	POWERSWING 5 BOLT WHEEL ASSEMBLY
20	10-20166	ASSY HUB, W/ BUSHING
21	10-22165	IDLER WHEEL HUB, LANDING GEAR
22	10-22164	CHAIN GUARD, LANDING GEAR
23	10-20210	50B12 X 3/4 SPROCKET
24	10-19133	#50-1R X 37P ROLLER CHAIN
25	10-19134	#50 CONNECTOR LINK
26	10-22168	PIN, LANDING GEAR
27	10-27815	BOLT, 5/8" X 4" NC PLTD
28	10-20297	MKX130 SPACER BUSHING, SHORT
29	10-22187	SLIDER BUSHING, LANDING GEAR
30	10-19776	BUSHING, 1-1/4"
31	10-20268	5/8 X 1/2 INSULATED CLAMP
32	10-29998	3/16" X 1-3/8" LINCHPIN
33	10-19274	#14 X 5/8" SMS AB GR 5 PLTD
34	10-20565	1/2" X 1-1/8" NF #5 WHEEL BOLT
35	10-18698	7/16" X 1-1/4" NC BOLT GR 8 PLTD
36	9900564	1/2" X 5" UNC BOLT GR5 PLTD
37	10-19540	3/8" X 3/4" NC BOLT GR5 PLTD
38	10-19538	5/16" X 3/4" NC BOLT GR2 PLTD
39	10-19979	3/4" FLAT WASHER PLTD
40	10-17651	1-1/4" RIM WASHER
41	10-17401	1/2" FLAT WASHER PLTD
42	10-17593	7/16" NC NYLON LOCKNUT GR5 YLW PLTD
43	10-19599	1/2" NC NYLON LOCKNUT GR 2 PLTD
44	10-20524	ANTENNA
45	10-19648	SADDLE PIN
46	10-22604	POWERSWING ELEC. CABLE HOLDER
47	9900800	1/4" X 3/4" NC BOLT GR5 PLTD
48	10-28449	1/4" NC NYLON LOCKNUT PLTD
49	10-20169	WIRE HARNESS - CONTACTOR TO BATTERY

51-MKX/X130 LANDING GEAR PS, ELECTRIC

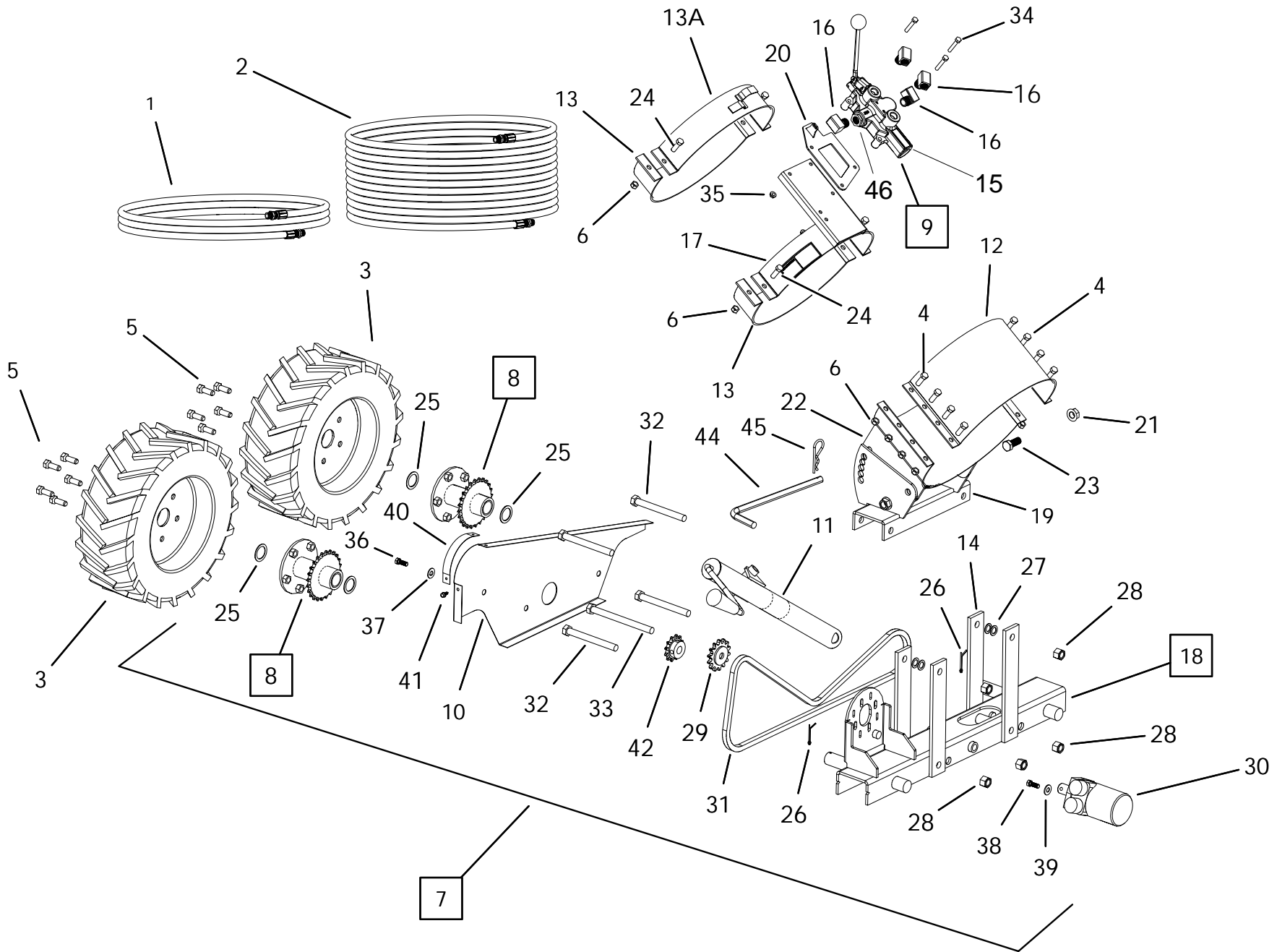


A334 ELECTRIC LANDING GEAR POWER SWING - 13"

A334 ELECTRIC LANDING GEAR POWER SWING - 13"

ITEM	PART NO.	DESCRIPTION
50	10-19600	LOCKNUT, 5/8"
51	05-A334	MKX/X130 LANDING GEAR PS, ELEC

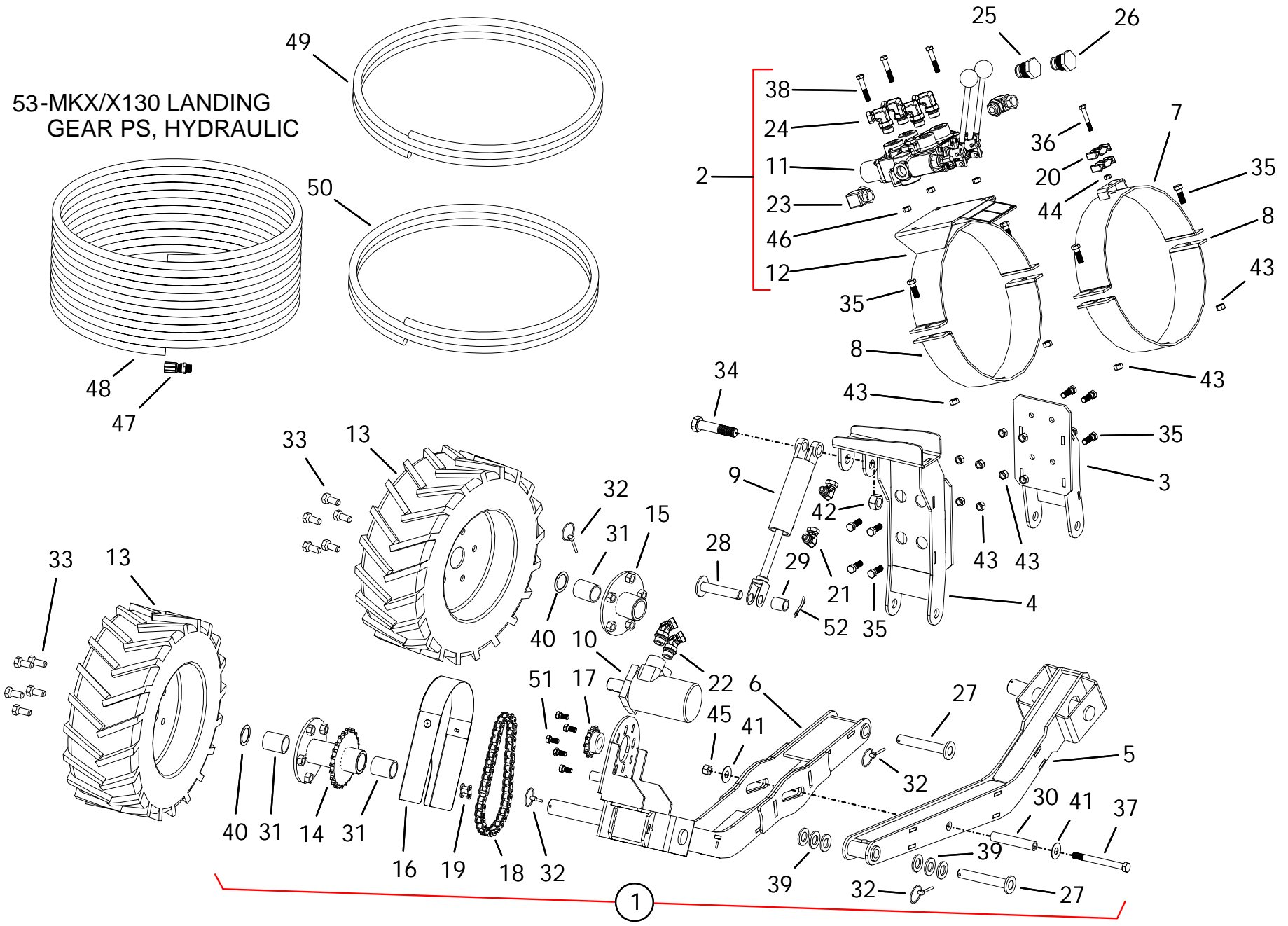
A265 HYDRAULIC POWER SWING-13"



A265 HYDRAULIC POWER SWING-13"

ITEM	PART NO.	DESCRIPTION
1	10-17710	3/8" X 38" HYDRAULIC HOSE
2	10-17711	3/8" X 173" HYDRAULIC HOSE
3	10-20137	16 X 6.5 5 BOLT WHEEL ASSM
4	10-18698	7/16" X 1-1/4" BOLT GR 8
5	10-19273	1/2" X 1-3/4" NF #5 WHEEL BOLT
6	10-19598	7/16" NYLON LOCKNUT GR 2
7	10-20270	HYD PS AXLE AS SHIPPED
8	10-20166	ASSY HUB, W/ BUSHING
9	10-22006	HYDRAULIC VALVE W/ FITTINGS
10	10-20180	GUARD, POWERSWING
11	10-20179	JACK, POWERSWING
12	10-27455	12-3/4" HITCH RING
13A	10-17697	HOSE CLIP BRACKET
13	10-18987	W130 HALF CLAMP
14	10-20174	PLATE, PARALLEL BAR - POWERSWING
15	10-17675	HYDRAULIC VALVE ONLY
16	10-17699	X115 1/2" STREET ELBOW
17	10-17707	PSV-13 BRACKET 4505073
18	10-20173	AXLE ASSY, POWER SWING
19	10-20892	PIVOT - POWERSWING
20	10-20272	HYD SPOOL LIMITER
21	10-27588	5/8" SERRATED FLANGE NUT
22	10-20175	13" BOTTOM CLAMP - POWERSWING
23	10-19590	5/8" X 1-1/2" BOLT GR 8
24	10-19542	7/16" X 1" BOLT GR5
25	10-17651	1-1/4" RIM WASHER
26	10-17757	3/16" X 1-3/4" COTTER PIN
27	10-18096	5/8" RIM WASHER
28	10-19600	5/8" NC LOCKNUT
29	10-29894	SPROCKET IDLER
30	10-20246	HYDRAULIC MOTOR
31A	10-19134	#50 CONNECTOR LINK (NOT SHOWN)
31	10-20515	#50 ROLLER CHAIN
32	10-20163	BOLT, 5/8 X 6" GR 5
33	10-20164	BOLT, 5/8 X 7-1/2" GR8
34	10-17712	5/16" X 1-3/4" BOLT GR5
35	10-19980	5/16" NYLON LOCKNUT
36	10-19540	3/8" X 3/4" BOLT GR5
37	10-17392	3/8" FLAT WASHER
38	10-18955	3/8" X 1" BOLT GR5
39	10-17392	3/8" FLAT WASHER
40	10-20180	GUARD, CURVED P/S
41	10-19274	#14 X 5/8" SHEET METAL SCREW
42	10-20211	50B12 X 1 SPROCKET
44	10-20895	POWERSWING ADJUST PIN
45	10-19463	HAIRPIN 7/16" X 3/4" , 1/8" DIA.
46	10-27411	REDUCER BUSHING

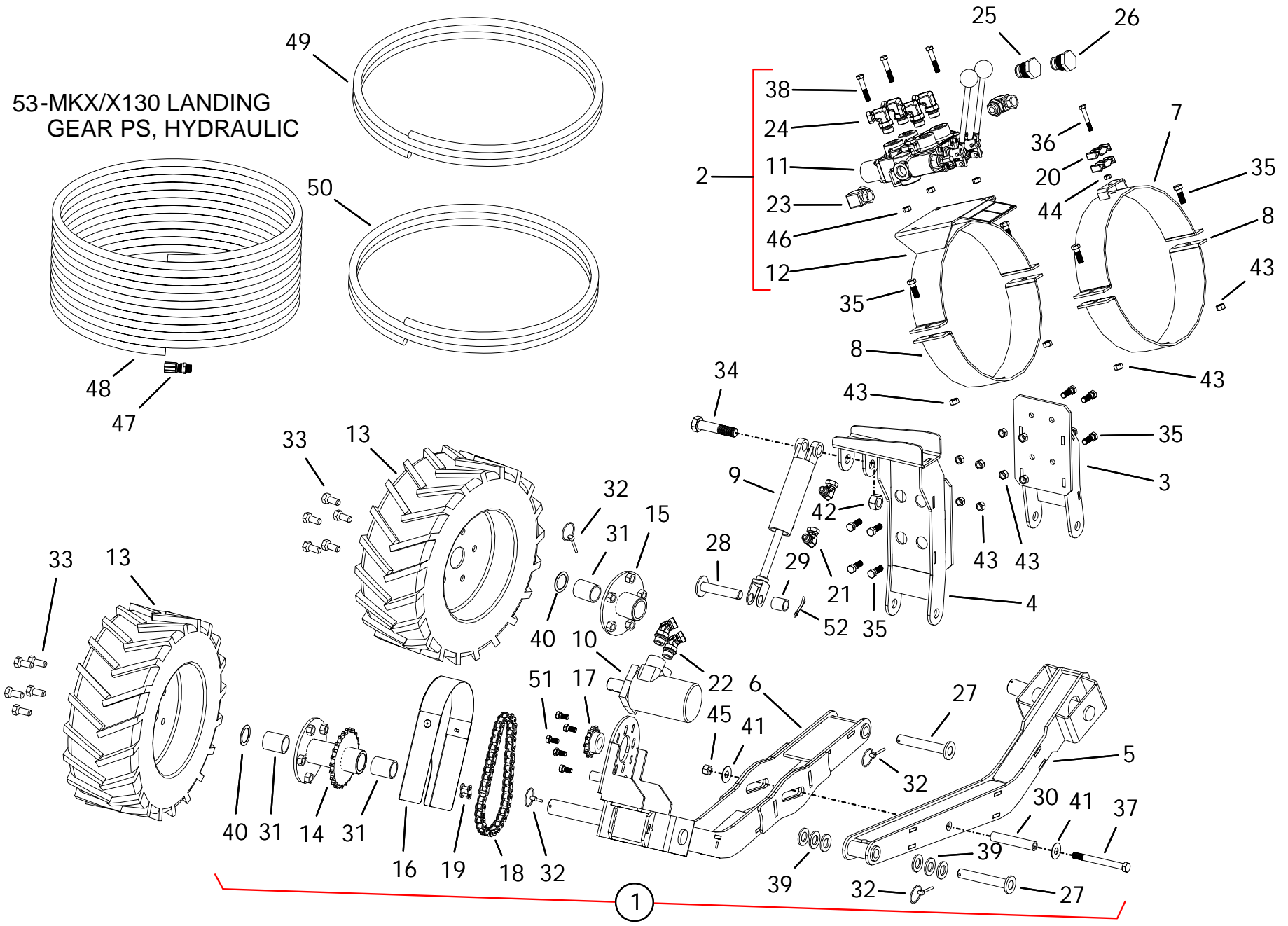
53-MKX/X130 LANDING GEAR PS, HYDRAULIC



A333 HYDRAULIC LANDING GEAR POWER SWING - 13"

ITEM	PART NO.	DESCRIPTION
1	10-22560	LANDING GEAR PS HYD ASSEMBLY
2	10-22565	2-SPOOL VALVE ASSY, LANDING GEAR PS, RETRO
3	10-22554	ATTACH, RH, MKX/X130 LGPS
4	10-22559	HYD CYLINDER ATTACH, MKX/X130 LGPS
5	10-22562	SHORT X-ARM, RH, LGPS
6	10-22564	SHORT X-ARM, LH, LGPS
7	10-21537	HOSE CLAMP
8	10-18987	13" HALF CLAMP
9	10-22161	1-1/2 X 8 HYDRAULIC CYLINDER
10	10-20246	PS HYD MOTOR, 17.9 CU IN
11	10-21550	2 SPOOL VALVE, 25 GPM
12	10-22580	2-SPOOL VALVE MOUNT, RETRO
13	10-20137	POWERSWING 5 BOLT WHEEL ASSEMBLY
14	10-20166	ASSY HUB, W/ BUSHING
15	10-22165	IDLER WHEEL HUB, LANDING GEAR
16	10-22164	CHAIN GUARD, LANDING GEAR
17	10-20211	50B12 X 1 SPROCKET
18	10-19133	#50-1R X 37P ROLLER CHAIN
19	10-19134	#50 CONNECTOR LINK
20	10-28732	LINE BLOCK
21	10-22191	STEEL ELBOW 6MORB X 3/8 NSPM
22	10-22556	ADAPTER, 45 DEG, #10MORB X #6FNPSM
23	10-21569	ADAPTER, 90 DEG, #8 FPT X #12 MORB
24	10-22566	ELBOW, #10MORB X #6FNPSM
25	10-21638	CLOSED CENTER PLUG ASSM
26	10-22156	CONVERSION PLUG, OPEN CENTER
27	10-22168	PIN, LANDING GEAR
28	10-22577	PIN, LGPS CYLINDER ATTACH
29	10-22578	SPACER SLEEVE, LGPS CYL ATTACH
30	10-22187	SLIDER BUSHING, LANDING GEAR
31	10-19776	BUSHING, 1-1/4"
32	10-29998	3/16" X 1-3/8" LINCHPIN
33	10-20565	1/2" X 1-1/8" NF #5 WHEEL BOLT
34	10-20398	3/4" X 3-1/2" NC BOLT GR 5 PLTD
35	10-18698	7/16" X 1-1/4" NC BOLT GR 8 PLTD
36	10-19539	5/16" X 2" NC BOLT GR 2 PLTD
37	9900564	1/2" X 5" UNC BOLT GR5 PLTD
38	10-27979	3/8" X 2" NC BOLT GR5 PLTD
39	10-19979	3/4" FLAT WASHER PLTD
40	10-17651	1-1/4" RIM WASHER
41	10-17401	1/2" FLAT WASHER PLTD
42	10-19601	3/4" NC NYLON LOCKNUT PLTD
43	10-17593	7/16" NC NYLON LOCKNUT GR5 YLW PLTD
44	10-19980	5/16" NC NYLON LOCKNUT PLTD
45	10-19599	1/2" NC NYLON LOCKNUT GR 2 PLTD
46	10-17402	3/8" NC NYLON LOCKNUT PLTD
47	9900047	PIONEER COUPLER
48	10-29368	1/2" X 247" HYDRAULIC HOSE
49	10-29414	3/8" X 46" HYDRAULIC HOSE

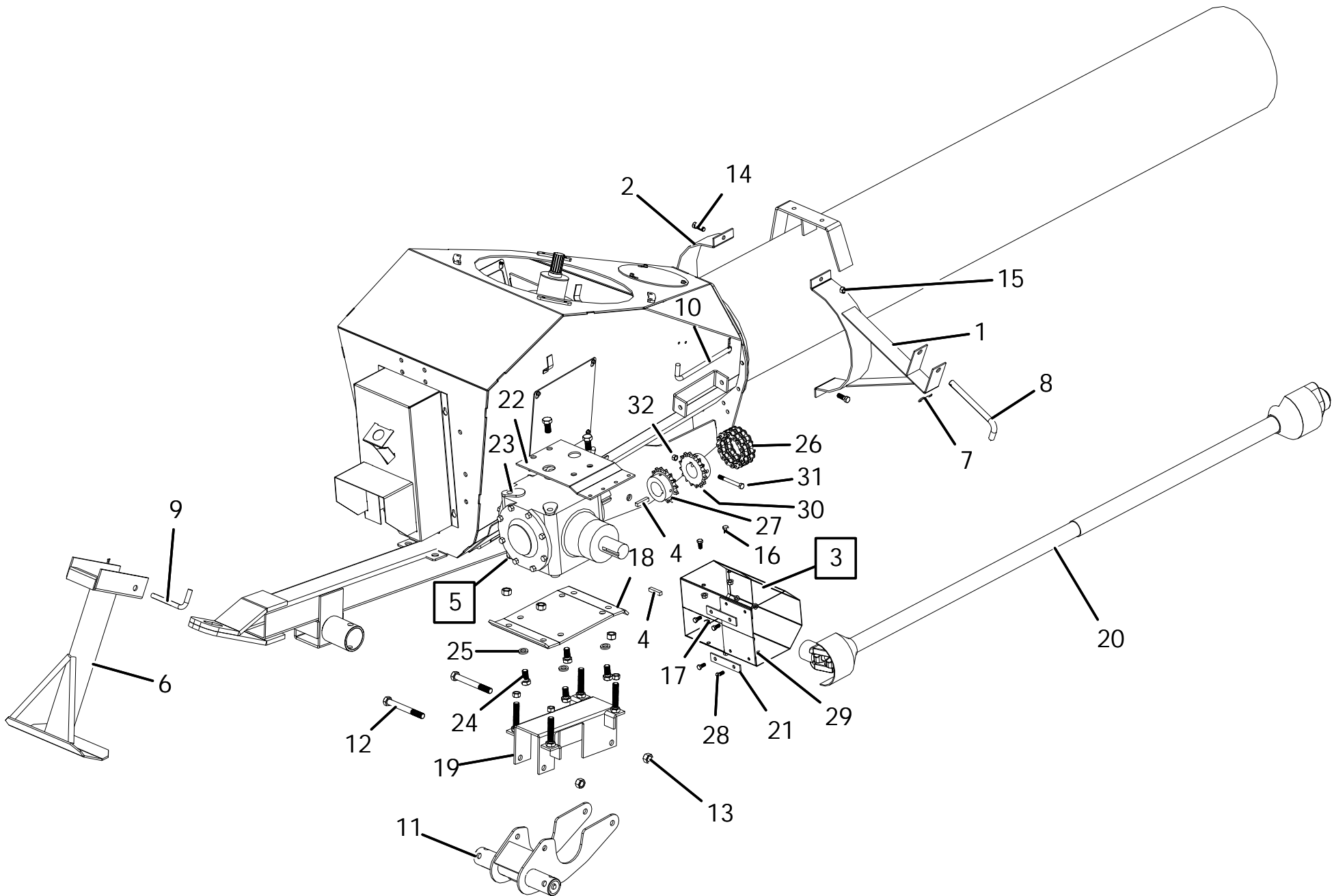
53-MKX/X130 LANDING GEAR PS, HYDRAULIC



A333 HYDRAULIC LANDING GEAR POWER SWING - 13"

ITEM	PART NO.	DESCRIPTION
50	10-28229	3/8" X 50" HYDRAULIC HOSE
51	10-19540	3/8" X 3/4" NC BOLT GR5 PLTD
52	10-18155	COTTER PIN, 3/16" x 1-1/4"
53	05-A333	MKX/X130 LANDING GEAR PS, HYD

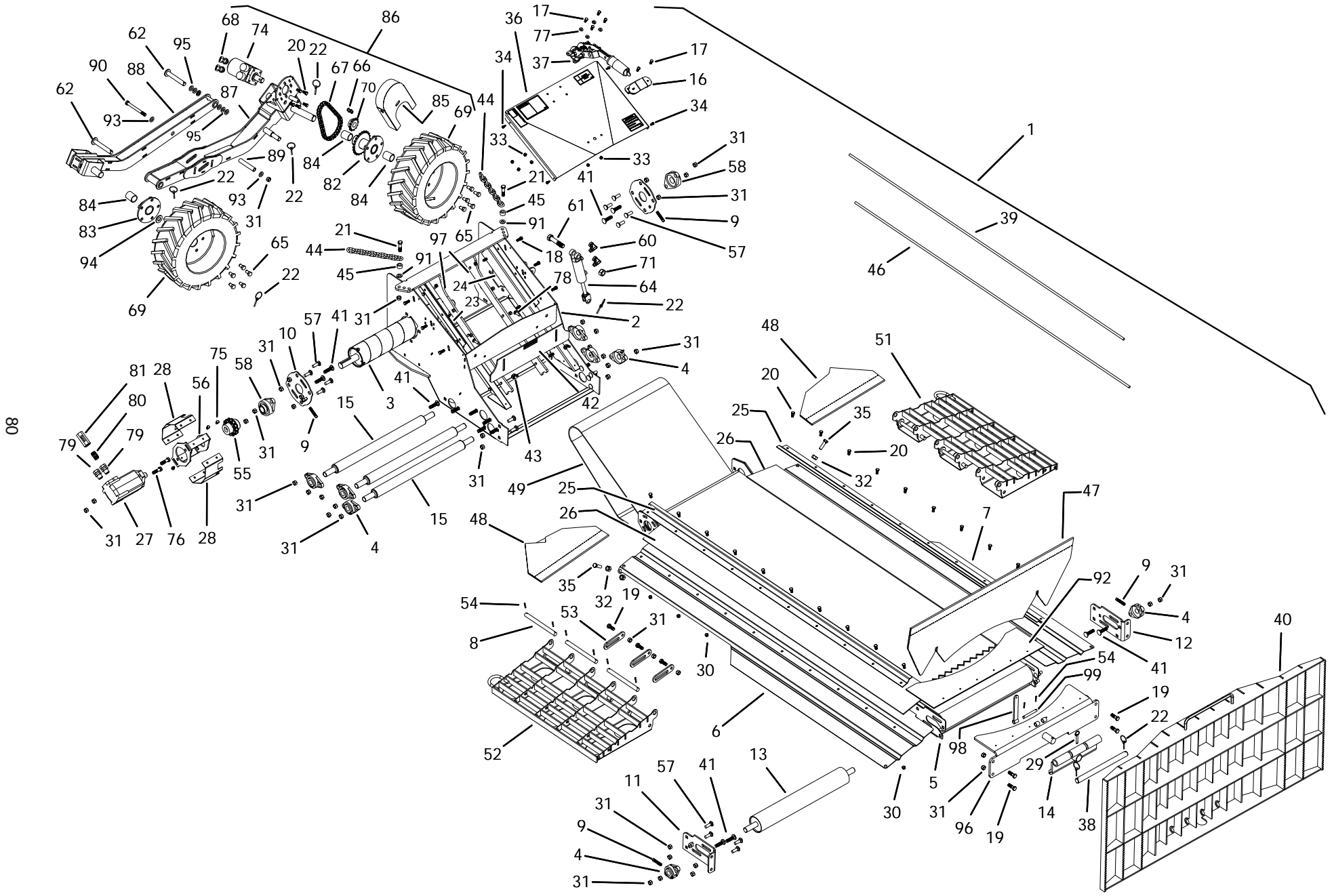
RIGHT ANGLE DRIVE KIT



RIGHT ANGLE DRIVE KIT

ITEM	PART NO.	DESCRIPTION
1	10-17259	W130 TRANSPORT SADDLE
2	10-18987	W130 HALF CLAMP
3	10-17258	W130-51/71 SHIELD ASSM
4	10-17066	SQUARE KEY, 3/8" X 1-3/4"
5	10-20110	GEARBOX ASSY, X13 RAD
6	10-20106	X13 RAD LEG
7	10-19463	210 HITCH PIN
8	10-19648	SADDLE PIN
9	10-17181	CLEVIS PIN
10	10-18074	MK/TR PIN
11	10-20107	X13 RAD JACK MOUNT
12	10-17632	BOLT, 5/8" x 5 1/2" GR8
13	10-19600	5/8" NYLON LOCKNUT
14	10-18698	7/16" X 1-1/4" BOLT GR8
15	10-19598	7/16" NYLON LOCKNUT GR2
16	10-19540	3/8" X 3/4" BOLT GR5
17	10-19596	3/8" SERRATED FLANGE NUT
18	10-20109	X13 RAD ADJUSTMENT PLATE
19	10-20108	X13 RAD GEARBOX MOUNT
20	10-17260	X13 RAD PTO SHAFT
21	10-18878	4-3/4" STRAP 11843
22	10-17605	MK 130 RAD ATTACH PLATE
23	10-17250	GEARBOX
24	10-17261	5/8" X 1-1/4" BOLT GR8
25	10-17262	5/8" LOCK WASHER
26	10-17255	CHAIN COUPLER ASSEMBLY
27	10-17608	60B16 X 1-3/4" SPROCKET
28	10-19538	5/16" X 3/4" BOLT GR2
29	10-19595	5/16" FLANGENUT
30	10-22195	SPROCKET, 60B16 X 1-3/4
31	10-27982	3/8" X 3-1/2" NC BOLT GR 5 PLTD
32	10-17402	3/8" NC NYLON LOCKNUT PLTD

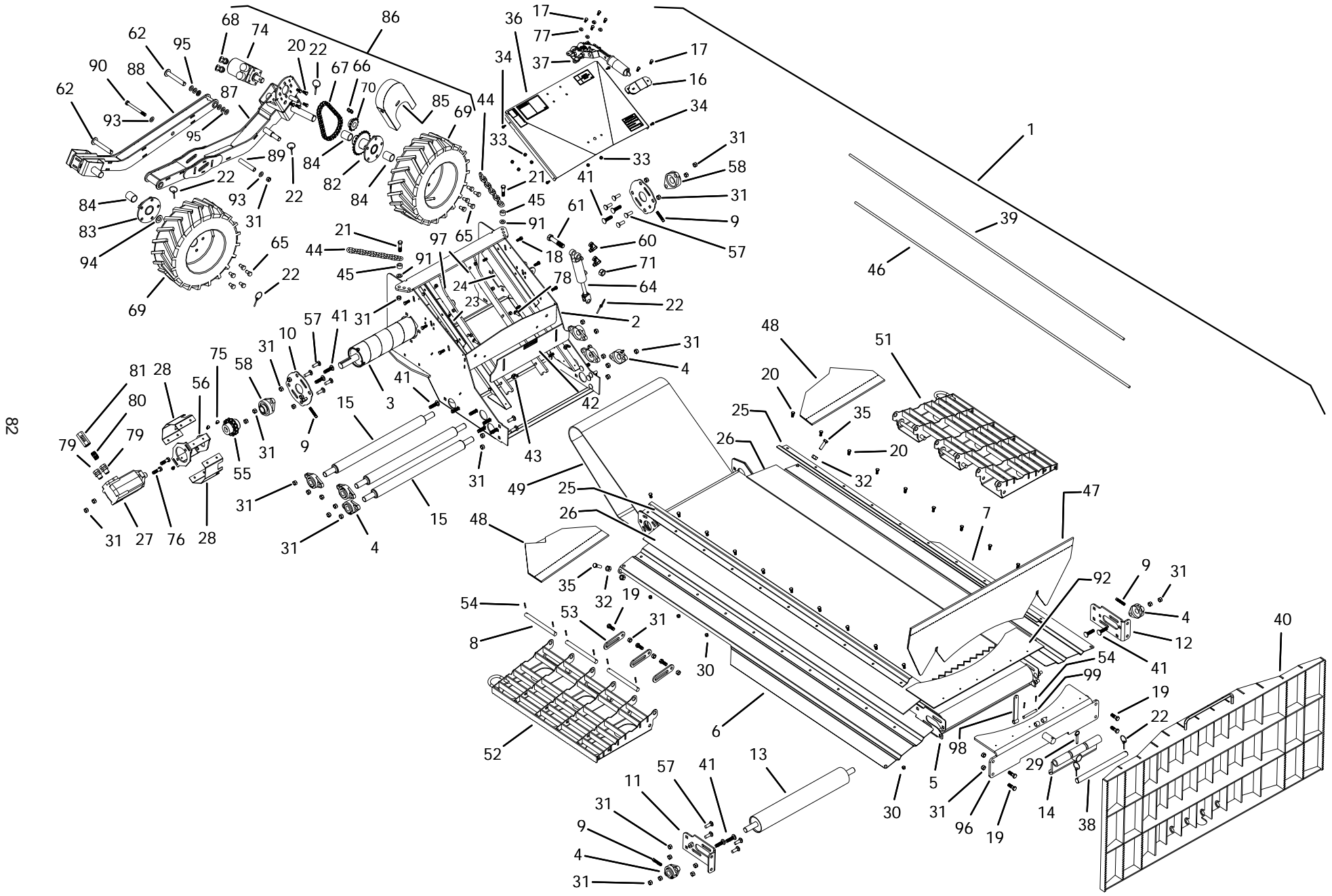
GULP 2 HOPPER



GULP 2 HOPPER

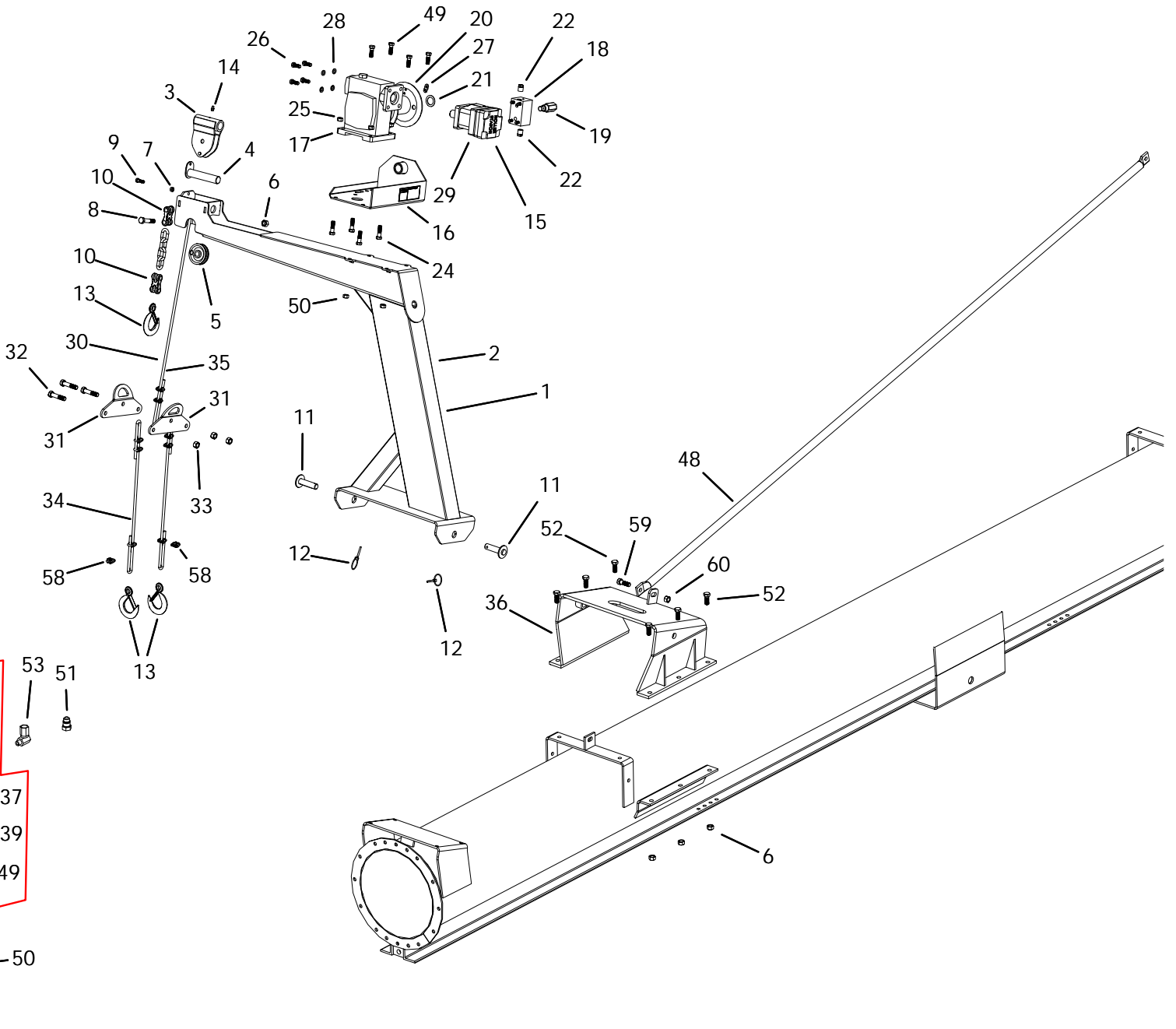
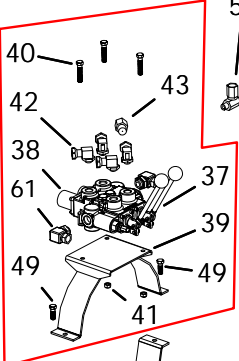
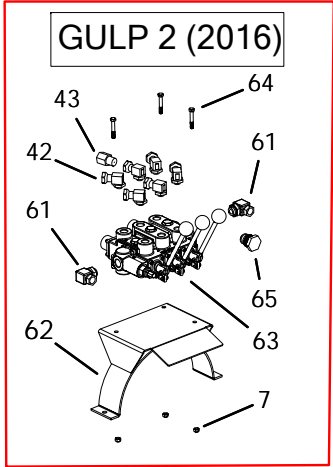
ITEM	PART NO.	DESCRIPTION
1	10-22160	MKX/X13 GULP 2 HOPPER ASSEMBLY, LG
2	10-21451	TRANSITION, GULP
3	10-21960	DRIVE ROLLER ASSY 1-1/4", GULP
4	0300013	BEARING ASSEMBLY
5	10-22369	DRIVEOVER ONLY, GULP 2
6	10-21466	RIGHT FLAP, GULP
7	10-21465	LEFT FLAP, GULP
8	10-21486	GULP, FLAP PIVOT PIN
9	10-17819	7/16"X 2-1/2"SQ HEAD SET SCREW YZ
10	10-21967	DRIVE ROLLER MOUNT, GULP
11	10-22375	REAR ROLLER MOUNT RH, GULP 2
12	10-22374	REAR ROLLER MOUNT LH, GULP 2
13	10-21462	REAR ROLLER, GULP
14	10-22379	REAR RAMP PIVOT, GULP 2
15	10-21849	SOLID ROLLER, IDLER - GULP
16	10-22253	FLAP LIFT DIVERter ASSY, GULP
17	10-19538	5/16" X 3/4" NC BOLT GR 2 PLTD
18	10-18955	3/8" X 1" NC BOLT GR 5 PLTD
19	10-19588	1/2" X 1-1/4" NC BOLT GR 5 PLTD
20	10-19540	3/8" X 3/4" NC BOLT GR 5 PLTD
21	10-27816	1/2" X 2" NC BOLT GR 5 PLTD
22	10-29998	3/16" X 1-3/8" LINCHPIN
23	10-22377	SEAL ATTACH, RH, GULP 2
24	10-22378	SEAL ATTACH, LH, GULP 2
25	10-21464	RUBBER FLAP CLAMP, GULP
26	10-21404	8" X 74.75" X .178 BELT, GULP
27	10-18066	HYDRAULIC MOTOR
28	10-21456	HYDRALIC MOTOR GUARD, GULP
29	10-21485	5/16" X 1-1/2" LYNCH PIN
30	10-17402	3/8" NC NYLON LOCKNUT PLTD
31	10-19599	1/2" NC NYLON LOCKNUT GR 2 PLTD
32	10-19600	5/8" NC NYLON LOCKNUT PLTD
33	10-19980	5/16" NC NYLON LOCKNUT PLTD
34	10-19274	#14 X 5/8" SMS AB GR 5 PLTD
35	10-21534	GULP, CABLE RETAINER
36	10-21452	TRANSITION LID, GULP
37	10-21476	OVERCENTER HANDLE, GULP
38	10-21517	REAR RAMP PIN, GULP
39	10-21470	FLAP LIFT CABLE, GULP
40	10-21475	REAR RAMP, GULP
41	10-21525	1/2" X 2" CARRIAGE BOLT GR 5 PLTD
42	10-21530	GULP, FLOW ADJUST DOOR
43	10-20082	3/8" WING NUT PLTD
44	10-21488	CHAIN, 5/16" X 10 LINK, GULP
45	10-21529	GULP, DOM CHAIN SPACER
46	10-21835	GULP BUNGEE CORD
47	10-21469	GULP, REAR APRON
48	10-21468	GULP, FRONT APRON
49	10-21405	GULP, CHEVRON BELT 23.5" X 237"

GULP 2 HOPPER



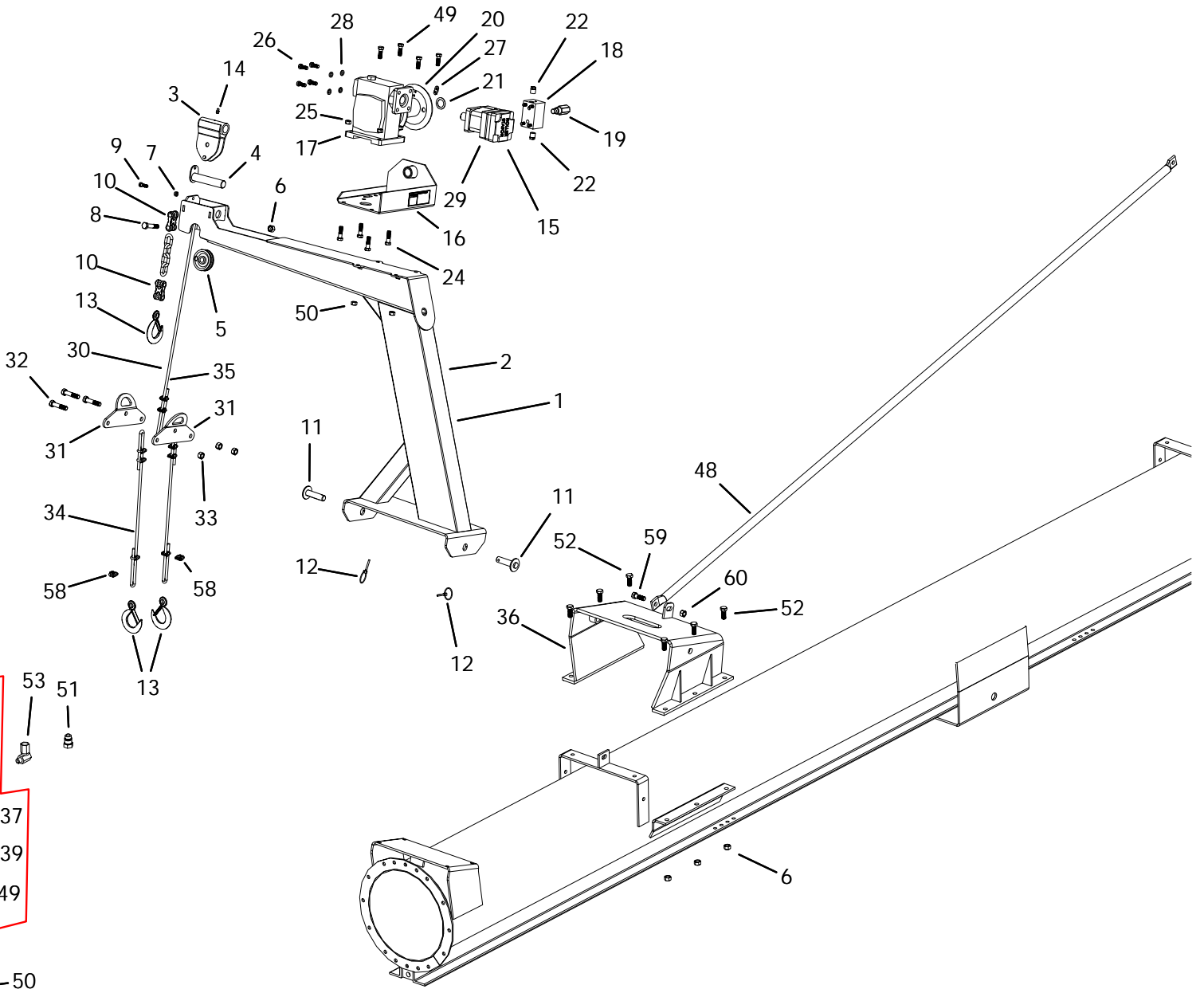
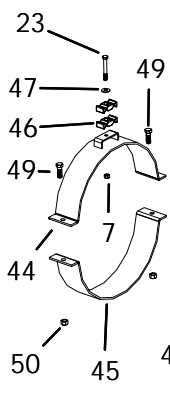
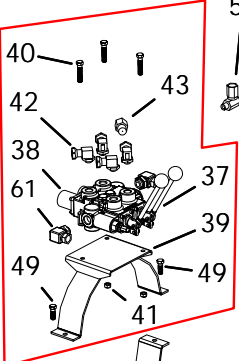
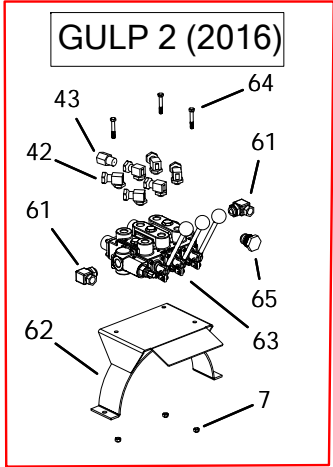
GULP 2 HOPPER

ITEM	PART NO.	DESCRIPTION
50	10-21495	GULP LACING KIT
51	10-21561	GULP, SIDE RAMP, LH
52	10-21562	GULP, SIDE RAMP, RH
53	10-21564	GULP, LOCK SLOT LINK
54	10-28726	3/16" X 1-1/2" ROLL PIN
55	10-19556	FLEX CPLR, 1.25KEY X 1" KEY
56	10-22158	S2000 MOTOR MOUNT, GULP
57	10-17807	1/2"X1-1/2"CARRIAGE BOLT GR 2 PLTD
58	10-27246	1-1/4" BEARING, 2-BOLT PILLOW
59	10-19147	1/4" CABLE CLAMP
60	10-22191	STEEL ELBOW 6MORB X 3/8 NSPM
61	10-20398	3/4" X 3-1/2" NC BOLT GR 5 PLTD
62	10-22168	PIN, LANDING GEAR
64	10-22161	1-1/2 X 8 HYDRAULIC CYLINDER
65	10-20565	1/2" X 1-1/8" NF #5 WHEEL BOLT
66	10-19134	#50 CONNECTOR LINK
67	10-19133	#50-1R X 37P ROLLER CHAIN
68	10-20256	#8 FNPTS X #10 MORB, 45 DEG FITTING
69	10-21535	PS 5 BOLT WHEEL ASSM W/ TUBE
70	10-20211	50B12 X 1 SPROCKET
71	10-19601	3/4" NC NYLON LOCKNUT PLTD
74	10-20246	PS HYD MOTOR, 17.9 CU IN
75	10-21421	5/16" X 1/2" NC BOLT GR 2 PLTD
76	10-19974	1/2" X 1-3/4" NC BOLT GR 8 PLTD
77	9900683	1/4" FLAT WASHER PLTD
78	10-27986	3/8" X 1" NC CARRIAGE BOLT GR 5 PLT
79	9900204	FTG,STL,10MORB X 1/2NSPM
80	10-28479	STEEL NIPPLE 1/2NPT
81	10-22147	1/2"FNPT X 1/2"FNPT CHECK VALVE
82	10-20166	ASSY HUB, W/ BUSHING
83	10-22165	IDLER WHEEL HUB, LANDING GEAR
84	10-19776	BUSHING, 1-1/4"
85	10-22164	CHAIN GUARD, LANDING GEAR
86	10-22190	GULP LANDING GEAR ASSEMBLY
87	10-22162	X-ARM, LH, LANDING GEAR
88	10-22163	X-ARM, RH, LANDING GEAR
89	10-22187	SLIDER BUSHING, LANDING GEAR
90	9900564	1/2" X 5" UNC BOLT GR5 PLTD
91	10-22137	1-1/16 X 17/32 X 3/32 WASHER PLATED
92	10-22254	GULP REAR PLATE RUBBER SPACER
93	10-17401	1/2" FLAT WASHER PLTD
94	10-17651	1-1/4" RIM WASHER PLTD
95	10-18948	3/4" RIM WASHER PLTD
96	10-22372	GULP 2 END PLATE
97	10-22376	GULP 2 TRANS. SEAL PLATE
98	10-22432	REAR APRON HINGE PIVOT, GULP2
99	10-22433	REAR APRON HINGE PIN, GULP 2



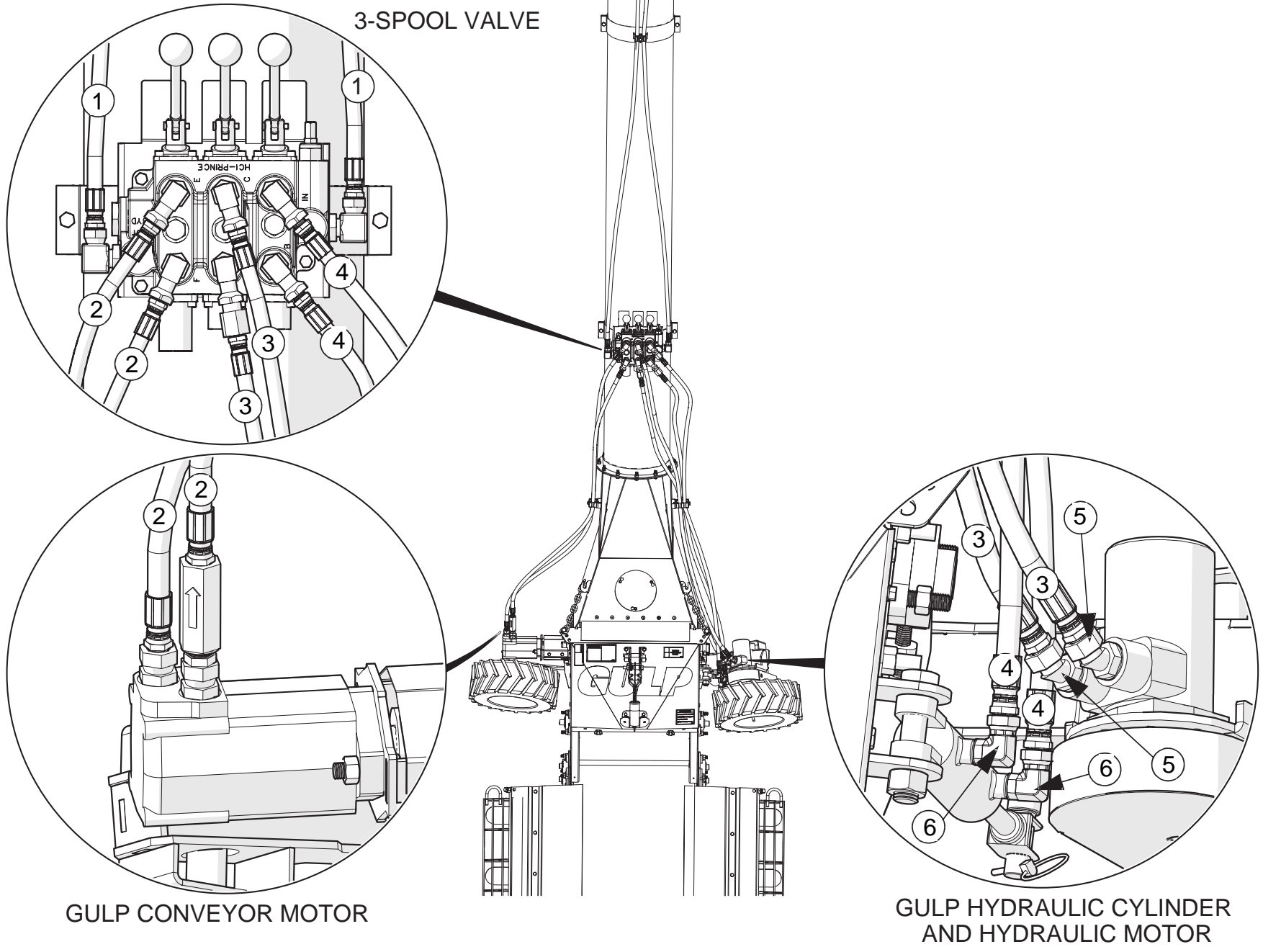
GULP 2 PARTS

ITEM	PART NO.	DESCRIPTION
1	10-21538	GULP LIFT ARM ASSEMBLY
2	10-21574	GULP, LIFT ARM ONLY
3	10-21577	GULP, PIN SLEEVE
4	10-21576	GULP, LIFT ARM PULLEY PIN
5	10-21494	MKX160 LIFT ARM PULLEY ASSEMBLY
6	10-19599	1/2" NC NYLON LOCKNUT GR 2 PLTD
7	10-19980	5/16" NC NYLON LOCKNUT PLTD
8	10-20772	BOLT, 1/2" X 2-1/2" GR 8
9	10-18091	5/16" X 1" NC BOLT GR 2 PLTD
10	10-20083	5/16" MID LINK
11	10-21575	GULP, LIFT ARM ATTACH PIN
12	10-29998	3/16" X 1-3/8" LINCHPIN
13	10-28997	1/2T EYE HOIST HOOK PAINTED W/ LATCH
14	10-19222	1/4" #28 GREASE ZERK
15	10-17634WH	HYDRAULIC WINCH ASSEMBLY, BLACK
16	10-17628WH	HYD WINCH FRAME ASSEMBLY, BLACK
17	10-17625	60 WPUDS 20:1
18	10-28221	MANIFOLD WINCH RELIEF BLOCK
19	10-28222	VALVE WINCH NON-ADJ REFLIEF MANIFOLD
20	10-17629WH	HYDRAULIC WINCH DRUM, BLACK
21	10-18097	1" RIM WASHER PLTD
22	0308013	3/8" NPT PLASTIC PLUG
23	10-17631	5/16" X 2-1/2" NC BOLT GR 2 PLTD
24	10-28744	7/16" X 1-1/2" NC BOLT GR 5 PLTD
25	10-19598	7/16" NC NYLON LOCKNUT GR 2 PLTD
26	10-18955	3/8" X 1" NC BOLT GR 5 PLTD
27	10-18496	ROPE KEEPER KIT
28	10-19604	3/8" LOCK WASHER PLTD
29	10-17626	MOTOR, HYD, 3.2, MANIFOLD KEYED
30	10-21533	GULP HOPPER LIFT CABLE
31	10-21580	GULP, LIFT DIVERTER PLATE
32	9900560	1/2" X 2-1/4" NC BOLT GR 5 PLTD
33	10-19599	1/2" NC NYLON LOCKNUT GR 2 PLTD
34	10-21589	SIDE CABLE ASSEMBLY, GULP
35	10-21590	TOP CABLE ASSEMBLY, GULP
36	10-21769	GULP LIFT ARM WELDMENT
37	10-22007	2 SPOOL VALVE W/ FITTINGS
38	10-21550	2 SPOOL VALVE, ONLY
39	10-21565	GULP, 2 SPOOL VALVE BRACKET
40	10-27979	3/8" X 2" NC BOLT GR 5 PLTD
41	10-17402	3/8" NC NYLON LOCKNUT PLTD
42	10-20104	STEEL ELBOW 10MORB X 1/2 NPSM
43	10-28315	LINE THROTTLE FITTING
44	10-21537	GULP, HOSE CLAMP
45	10-18987	W130 HALF CLAMP
46	10-28732	EMP-LB004 LINE BLOCK
47	10-27336	5/16" FLAT WASHER PLTD
48	10-21489WH	GULP, TRUSS X-BRACE (MKX130-84/94/114)
49	10-18698	7/16" X 1-1/4" NC BOLT GR 8 PLTD



GULP 2 PARTS

ITEM	PART NO.	DESCRIPTION
50	10-17593	7/16" NC NYLON LOCKNUT GR 5 YLW PLTD
51	9900047	PIONEER COUPLER
52	10-19588	1/2" X 1-1/4" NC BOLT GR 5 PLTD
53	1100625	STEEL ELBOW 90.1/2FNPSMX3/8MNPT
54	10-28250	1/2" X 245" HYDRAULIC HOSE (NOT SHOWN)
55	10-29393	1/2" X 64" HYDRAULIC HOSE (NOT SHOWN)
57	10-21581	3/8" X 324" HYDRAULIC HOSE (NOT SHOWN)
58	10-19333	5/16" CABLE CLAMP
59	10-19589	1/2" X 1-1/2" NC BOLT GR 8 PLTD
60	10-17750	1/2" NC NYLON LOCKNUT GR 5 YLW PLTD
61	10-21569	#8 FPT X #12 MORB 90DEG FITTING
62	10-22171	VALVE MOUNT, 3-SPOOL
63	10-22170	3-SPOOL VALVE, ONLY
64	10-19539	5/16" X 2" NC BOLT GR 2 PLTD
65	10-22156	CONVERSION PLUG, OPEN CENTER
66	10-21638	CLOSED CENTER PLUG ASSM (NOT SHOWN)



3-SPOOL VALVE

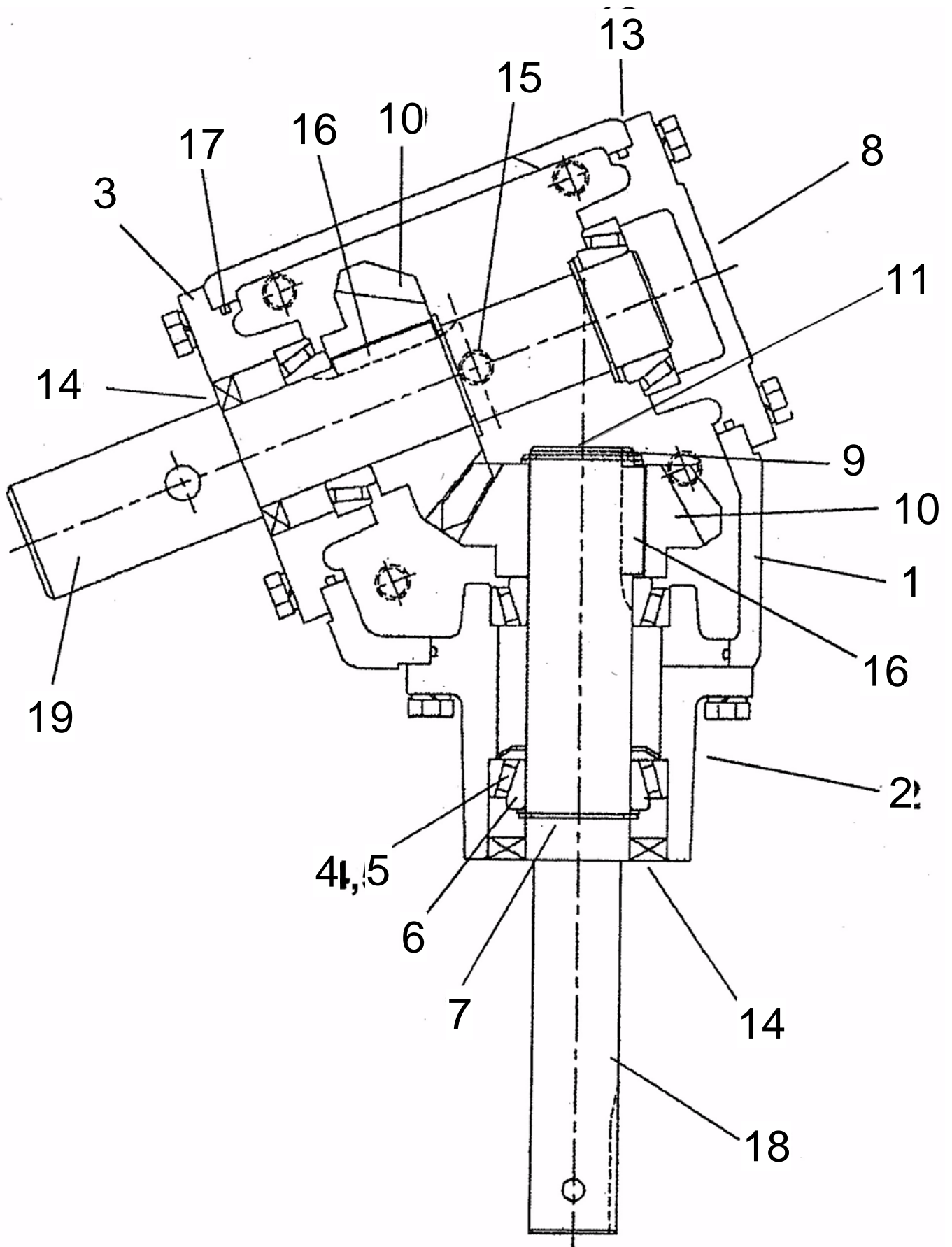
GULP CONVEYOR MOTOR

GULP HYDRAULIC CYLINDER AND HYDRAULIC MOTOR

GULP 2 HYDRAULIC LINES

ITEM	PART NO.	DESCRIPTION
1	10-29368	1/2" X 247" hydraulic hose
2	10-29394	1/2" X 72" hydraulic hose
3	10-28835	3/8" x 78" hydraulic hose
4	10-22188	3/8" x 72" hydraulic hose
5	10-20256	#8 FNPTS x #10 MORB, 45 DEG FITTING
6	10-22191	STEEL ELBOW 6 MORB X 3/8 NSPM

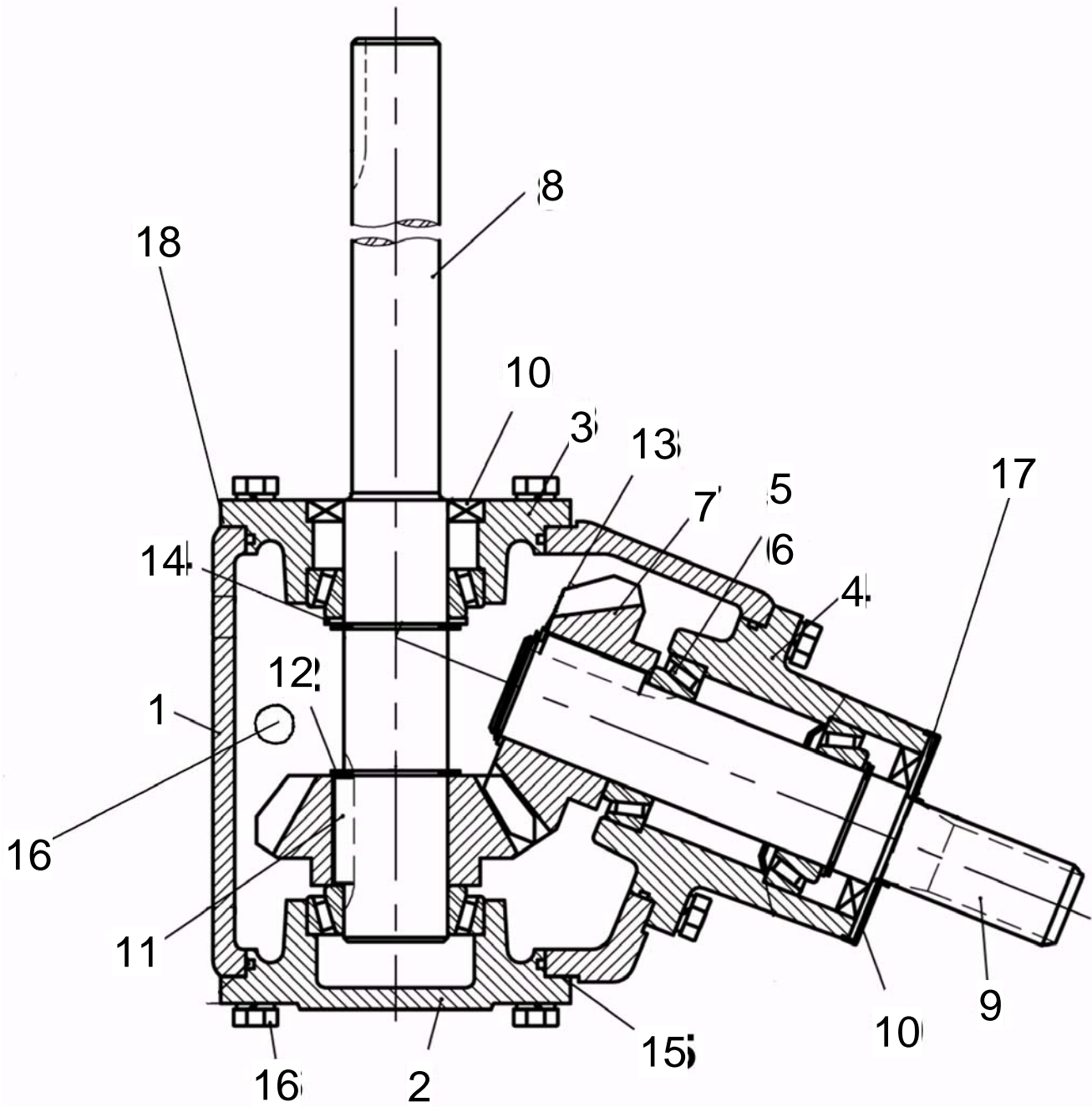
UPPER GEARBOX (27560)



UPPER GEARBOX (27560)

ITEM	PART NO.	DESCRIPTION
1	10-27690	Housing
2	10-27691	Quill
3	10-27692	End cap
4	10-17008	cup Timken #LM 29710
5	10-27693	Bearing cup #LM 29748
6	10-27694	Spacer
7	10-27789	RETAINER Ring
8	10-27695	End Cap
9	10-27696	Shim
10	10-27697	Gear
11	10-27708	SNAP RING
13	10-27698	Shim
14	10-27699	Seal, 38.1 x 65.1 x 8
15	10-28296	3/8" Solid Gearbox Plug
16	10-27700	Square key, 5/16" x 1-1/2"
17	10-27701	O-Ring, 105 x 3.1mm
18	10-27703	Pinion shaft
19	10-27705	Cross shaft

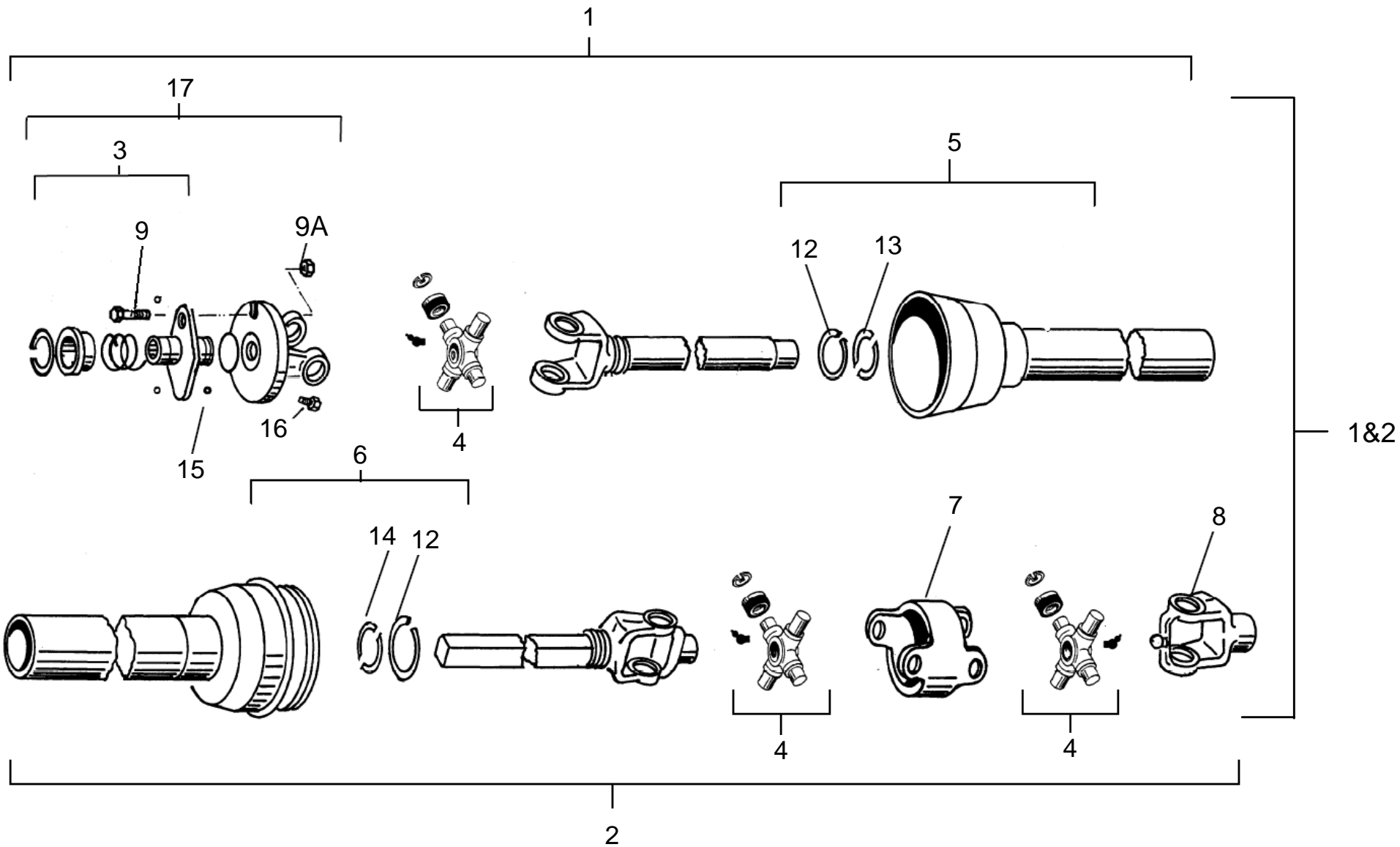
LOWER GEARBOX (29085)



LOWER GEARBOX (29085)

ITEM	PART NO.	DESCRIPTION
1	10-27690	Housing
2	10-27695	end cap
3	10-27692	End cap
4	10-27691	quill
5	10-27693	bearing cup #Im29748
6	10-17008	cup TIMKEN #Im29710
7	10-27697	gear, dp 4.23 teeth 17
8	10-29281	shaft cross gearbox (long)
9	10-27704	Pinion Shaft
10	10-27699	Seal, (38.1 x 65.1 x 8)
11	10-27700	square key, 5/16" x 1-1/2"
12	10-27789	RETAINER ring
13	10-27696	SHIM
14	10-27708	SNAP RING
15	10-27698	Shim
16	10-28296	3/8" Solid Gearbox Plug
17	10-27702	shield
18	10-27701	O-RING, 105 x 3.1 mm

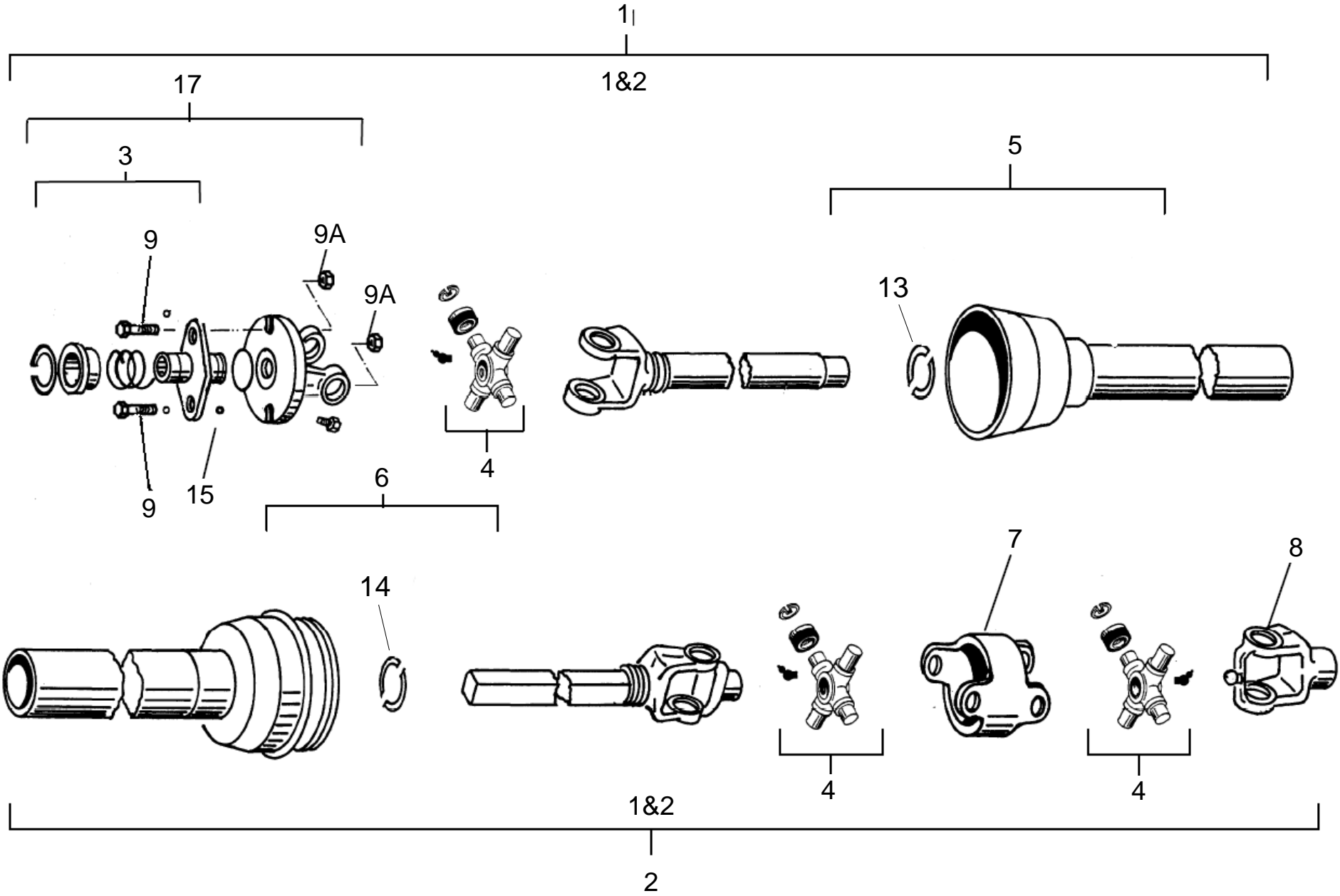
X130-74 CONSTANT VELOCITY PTO SHAFT (WEASLER)



X130-74 CONSTANT VELOCITY PTO SHAFT (WEASLER)

ITEM	PART NO.	DESCRIPTION
1	10-18268	1/2 PTO shaft, tractor end
1&2	10-18455	COMPLETE PTO SHAFT
2	10-18269	1/2 PTO shaft, implement end
3	10-18270	SPRING LOCK REPAIR KIT
4	10-18271	UNIVERSAL JOINT REPAIR KIT
5	10-18272	PLASTIC SHIELD C/W REFERENCE NO. 12&13, TRACTOR END
6	10-18273	PLASTIC SHIELD C/W REFERENCE NO. 12&14, IMPLEMENT END
7	10-18274	CV CENTER HOUSING
8	10-18358	END YOKE
9	10-18454	3/8" X 1" GR8 BOLT
9A	10-18956	3/8" 2-WAY LOCKNUT
12	10-18467	Retainer ring
13	10-18468	Nylon bearing
14	10-18441	Nylon bearing
15	10-18470	Ball bearing kit
16	10-19995	BOLT, 3/8" - 16 X 1/2", GR5
17	10-18440	SHEAR ASSEMBLY

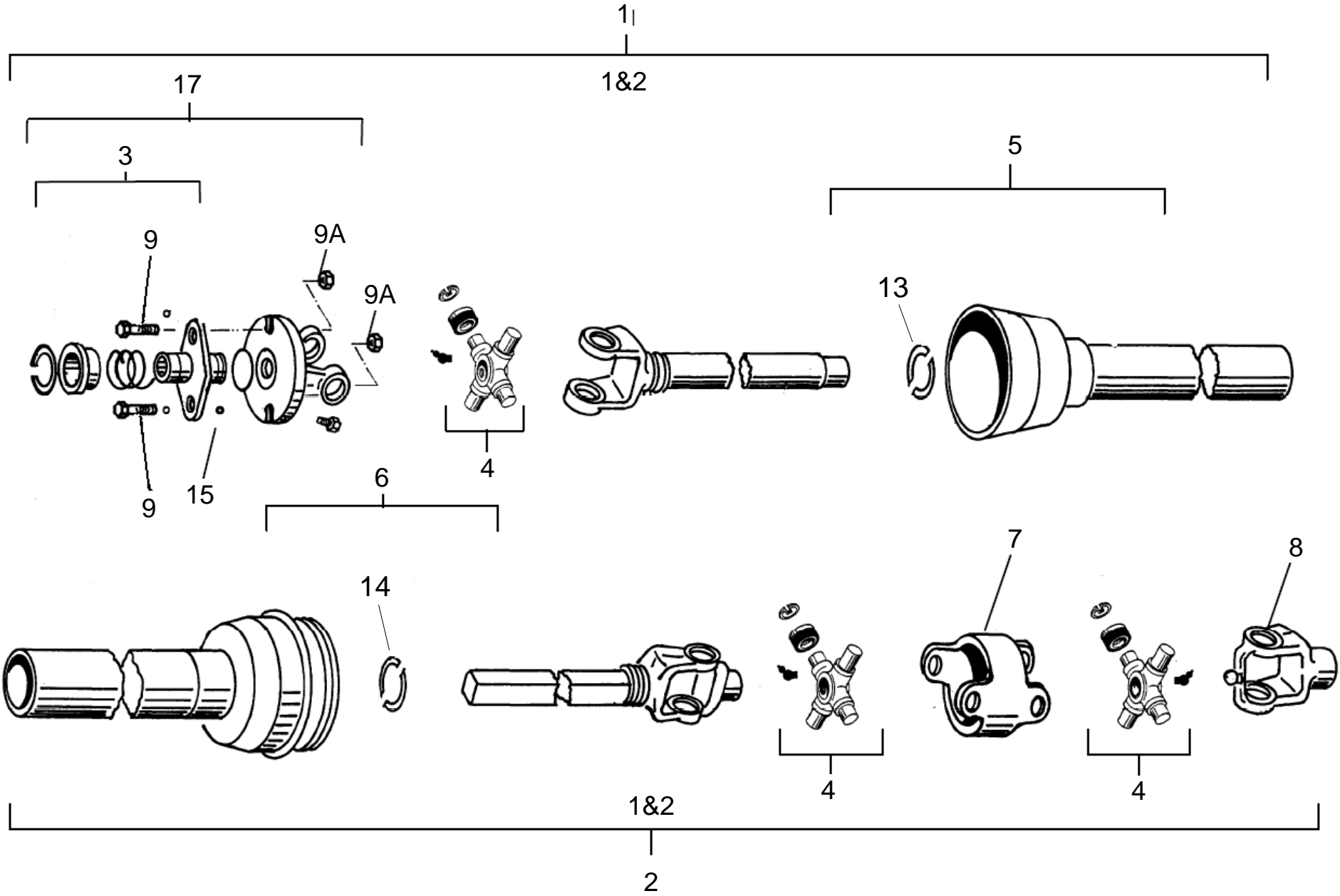
X130-84 CONSTANT VELOCITY PTO SHAFT (WEASLER)



X130-84 CONSTANT VELOCITY PTO SHAFT (WEASLER)

ITEM	PART NO.	DESCRIPTION
1&2	10-29140	COMPLETE 2-BOLT SHEAR 55E CV DRIVELINE
1	10-29247	1/2 PTO shaft, tractor end
2	10-17545	1/2 PTO shaft, implement end
3	10-17546	Spring lock repair kit
4	10-17547	Universal joint repair kit
5	10-17548	PLASTIC SHIELD C/W REFERENCE NO. 12&13, TRACTOR END
6	10-17549	PLASTIC SHIELD C/W REFERENCE NO. 12&14, IMPLEMENT END
7	10-17550	CV centER housing
8	10-17551	End yoke
9A	10-18956	3/8" 2-WAY LOCKNUT
9	10-29246	3/8" X 1" GR8 BOLT
13	10-21993	NYLON BEARING
14	10-21966	NYLON BEARING
15	10-18470	Ball bearing kit
16	10-19995	BOLT, 3/8" - 16 X 1/2", GR5
17	10-29245	2-BOLT SHEAR ASSEMBLY

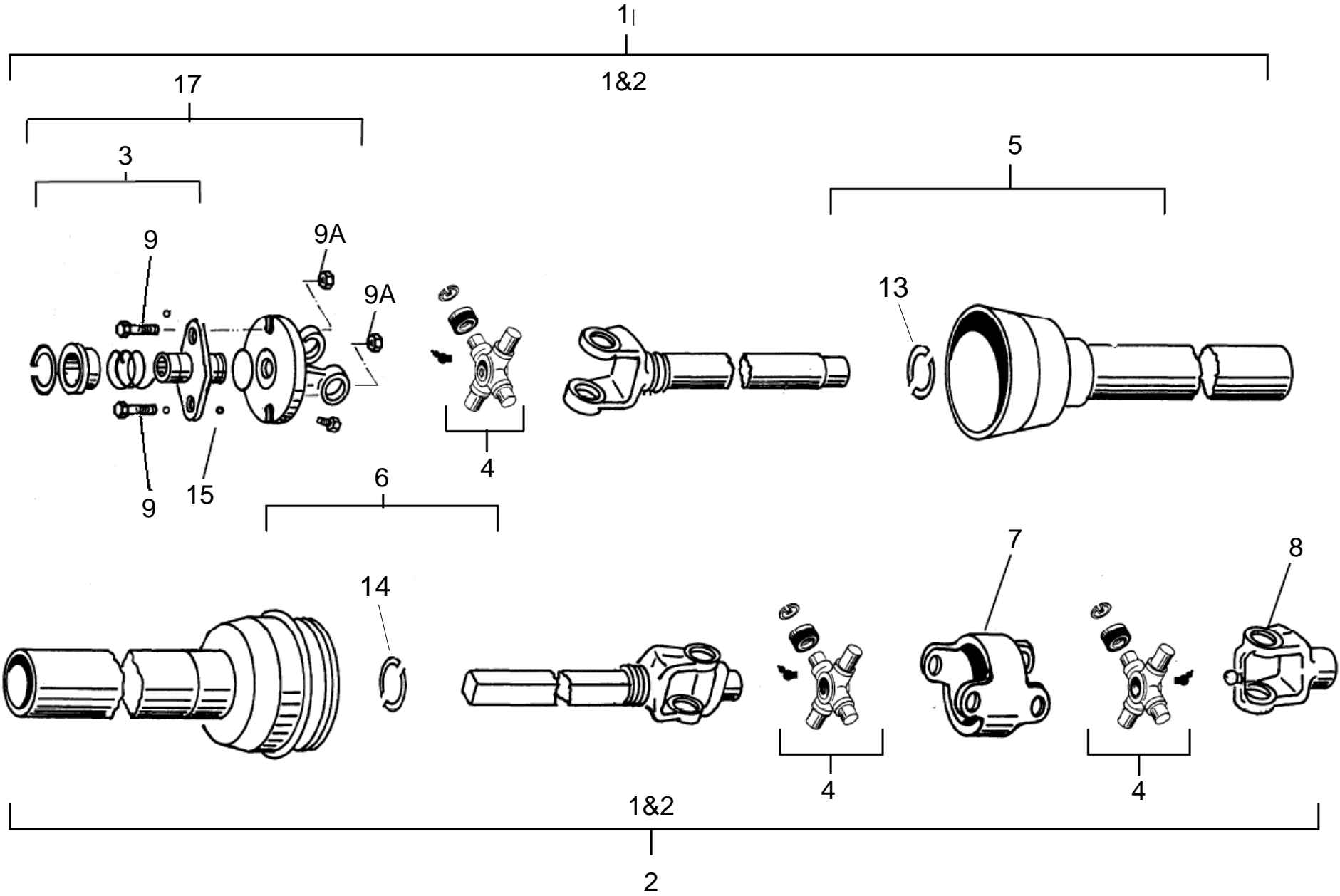
X130-94 CONSTANT VELOCITY PTO SHAFT (WEASLER)



X130-94 CONSTANT VELOCITY PTO SHAFT (WEASLER)

ITEM	PART NO.	DESCRIPTION
1&2	10-29140	COMPLETE 2-BOLT SHEAR 55E CV DRIVELINE
1	10-29247	1/2 PTO shaft, tractor end
2	10-17545	1/2 PTO shaft, implement end
3	10-17546	Spring lock repair kit
4	10-17547	Universal joint repair kit
5	10-17548	PLASTIC SHIELD C/W REFERENCE NO. 12&13, TRACTOR END
6	10-17549	PLASTIC SHIELD C/W REFERENCE NO. 12&14, IMPLEMENT END
7	10-17550	CV centER housing
8	10-17551	End yoke
9A	10-18956	3/8" 2-WAY LOCKNUT
9	10-29246	3/8" X 1" GR8 BOLT
13	10-21993	NYLON BEARING
14	10-21966	NYLON BEARING
15	10-18470	Ball bearing kit
16	10-19995	BOLT, 3/8" - 16 X 1/2", GR5
17	10-29245	2-BOLT SHEAR ASSEMBLY

X130-114 CONSTANT VELOCITY PTO SHAFT (WEASLER)



X130-114 CONSTANT VELOCITY PTO SHAFT (WEASLER)

ITEM	PART NO.	DESCRIPTION
1&2	10-29140	COMPLETE 2-BOLT SHEAR 55E CV DRIVELINE
1	10-29247	1/2 PTO shaft, tractor end
2	10-17545	1/2 PTO shaft, implement end
3	10-17546	Spring lock repair kit
4	10-17547	Universal joint repair kit
5	10-17548	PLASTIC SHIELD C/W REFERENCE NO. 12&13, TRACTOR END
6	10-17549	PLASTIC SHIELD C/W REFERENCE NO. 12&14, IMPLEMENT END
7	10-17550	CV centER housing
8	10-17551	End yoke
9A	10-18956	3/8" 2-WAY LOCKNUT
9	10-29246	3/8" X 1" GR8 BOLT
13	10-21993	NYLON BEARING
14	10-21966	NYLON BEARING
15	10-18470	Ball bearing kit
16	10-19995	BOLT, 3/8" - 16 X 1/2", GR5
17	10-29245	2-BOLT SHEAR ASSEMBLY

WHEATHEART

Box 39

Rosenort, Manitoba, Canada

Phone: (204) 746-2396 Fax: (204) 746-2679

Toll Free: (866) 467-7207 (Canada & USA)

website: www.wheatheart.com email: sales@wheatheart.com



Printed in Canada